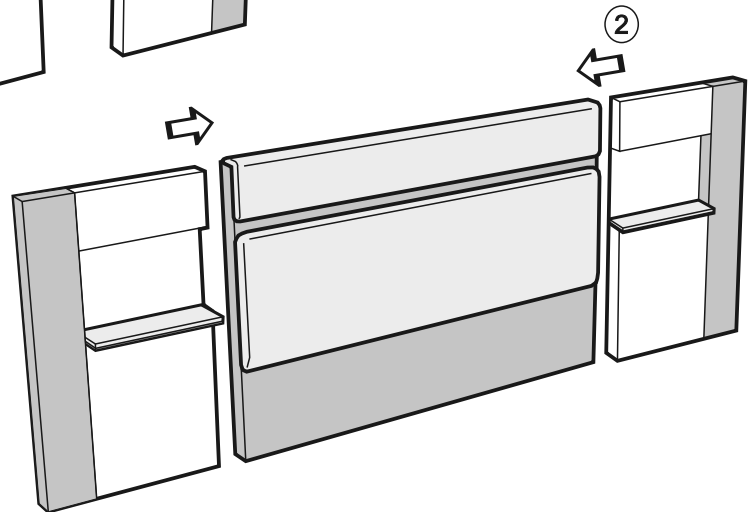
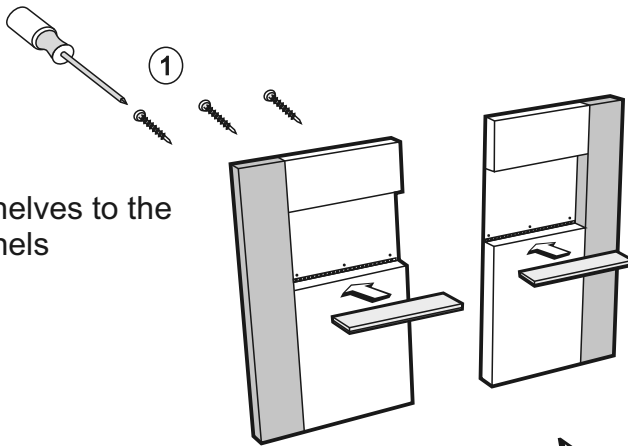
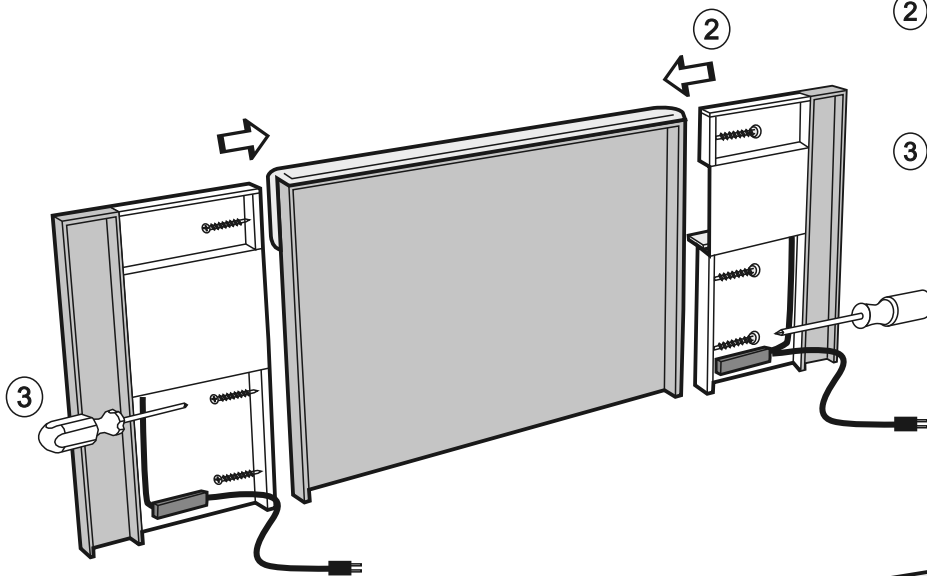


- ① Fix the shelves to the side panels



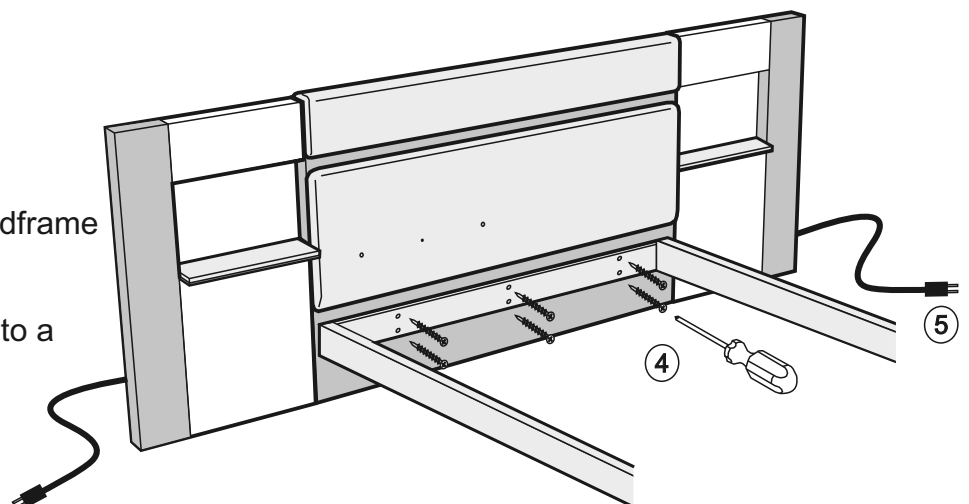
- ② Put the headboard sides together with the central part

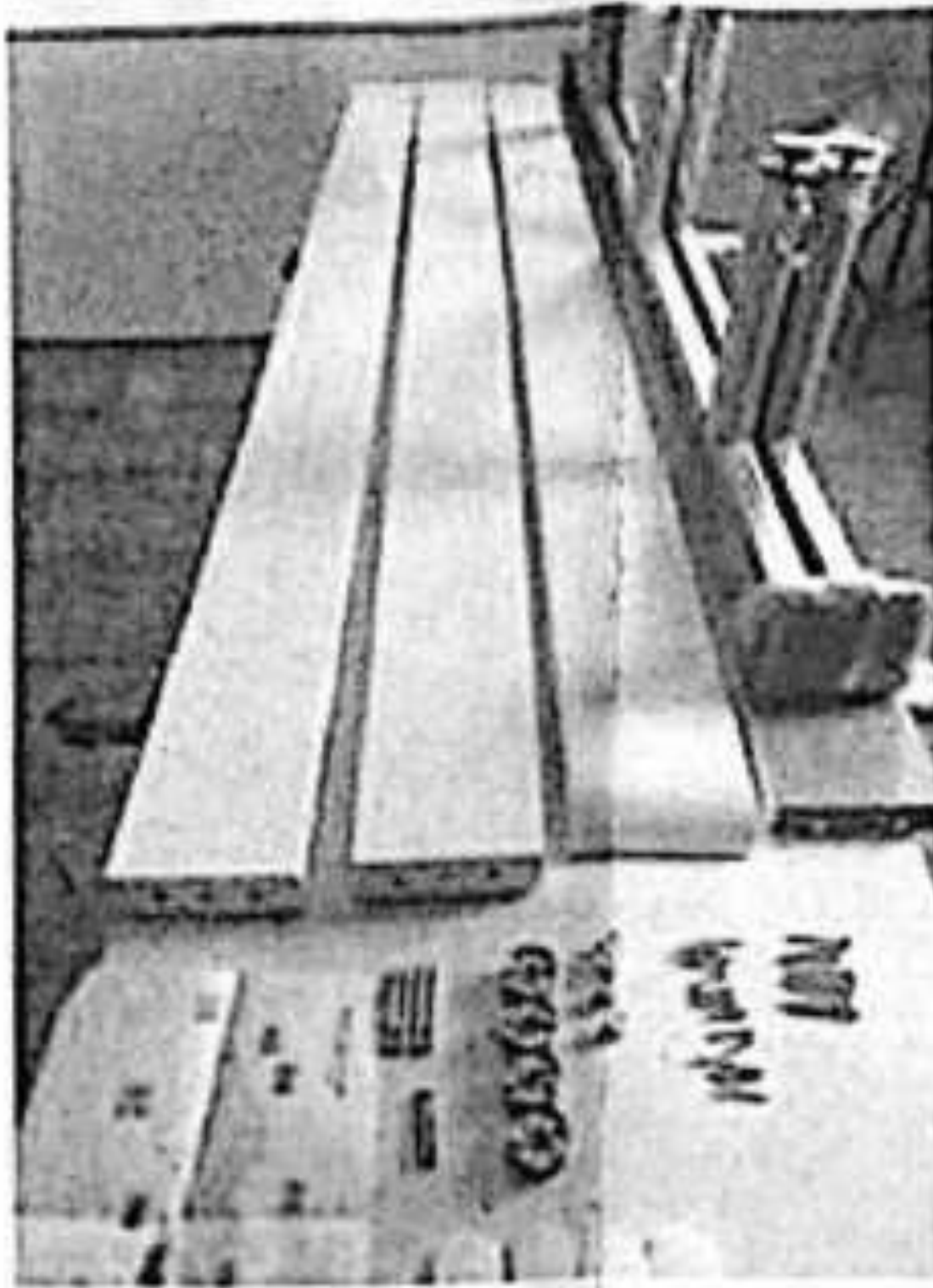
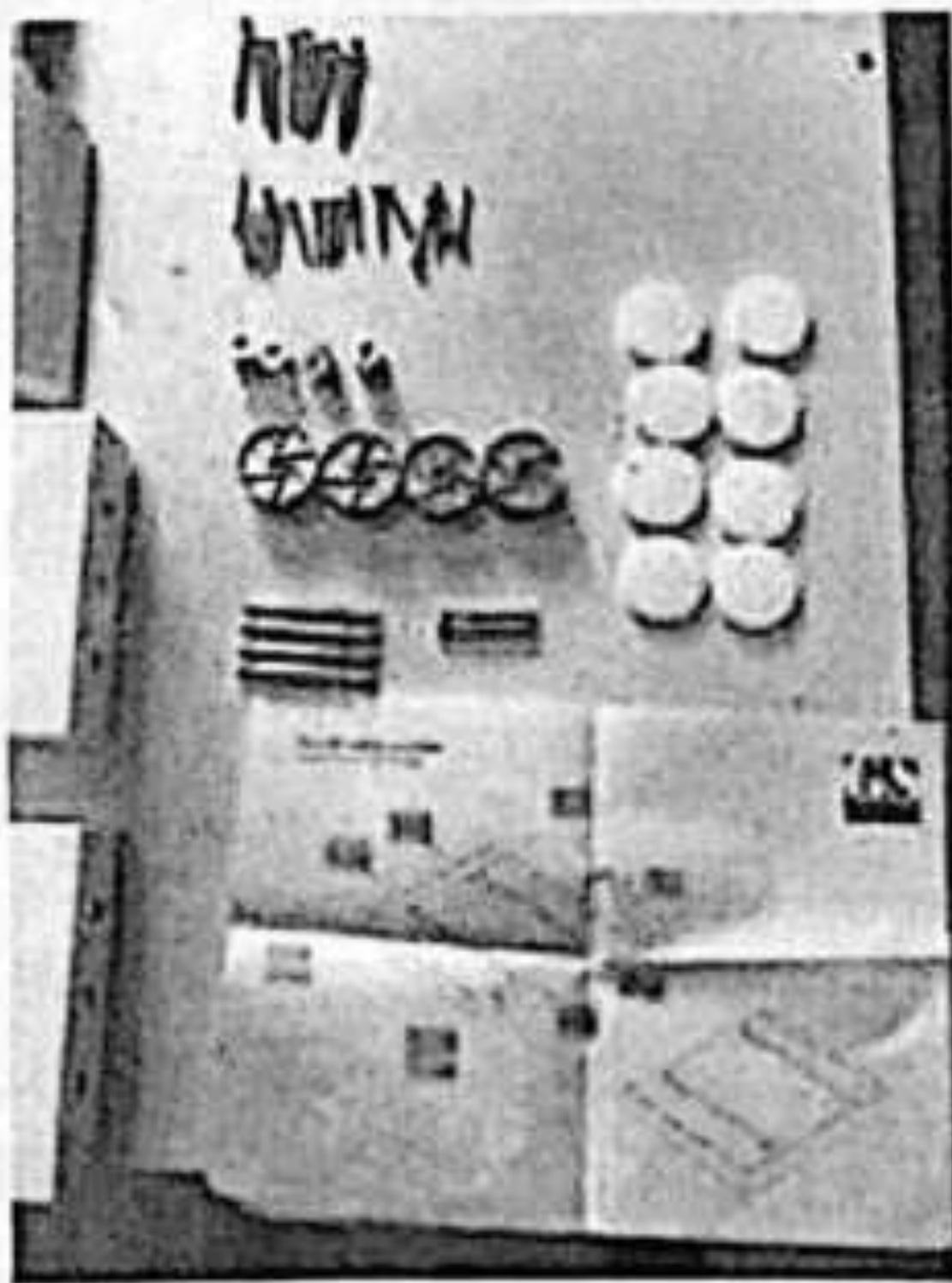


- ③ Screw the two sides parts to the central headboard with the screws that are placed in both pieces

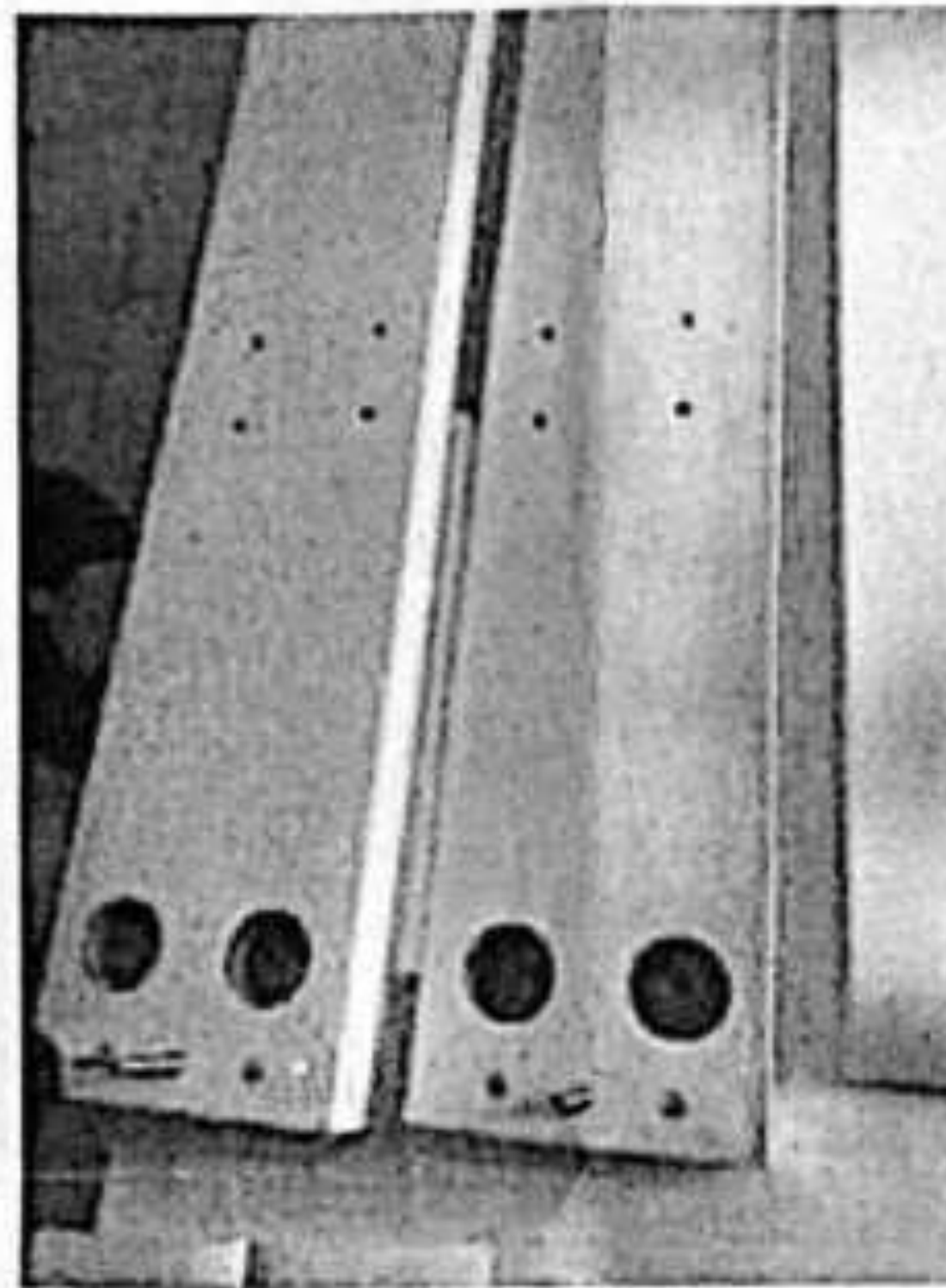
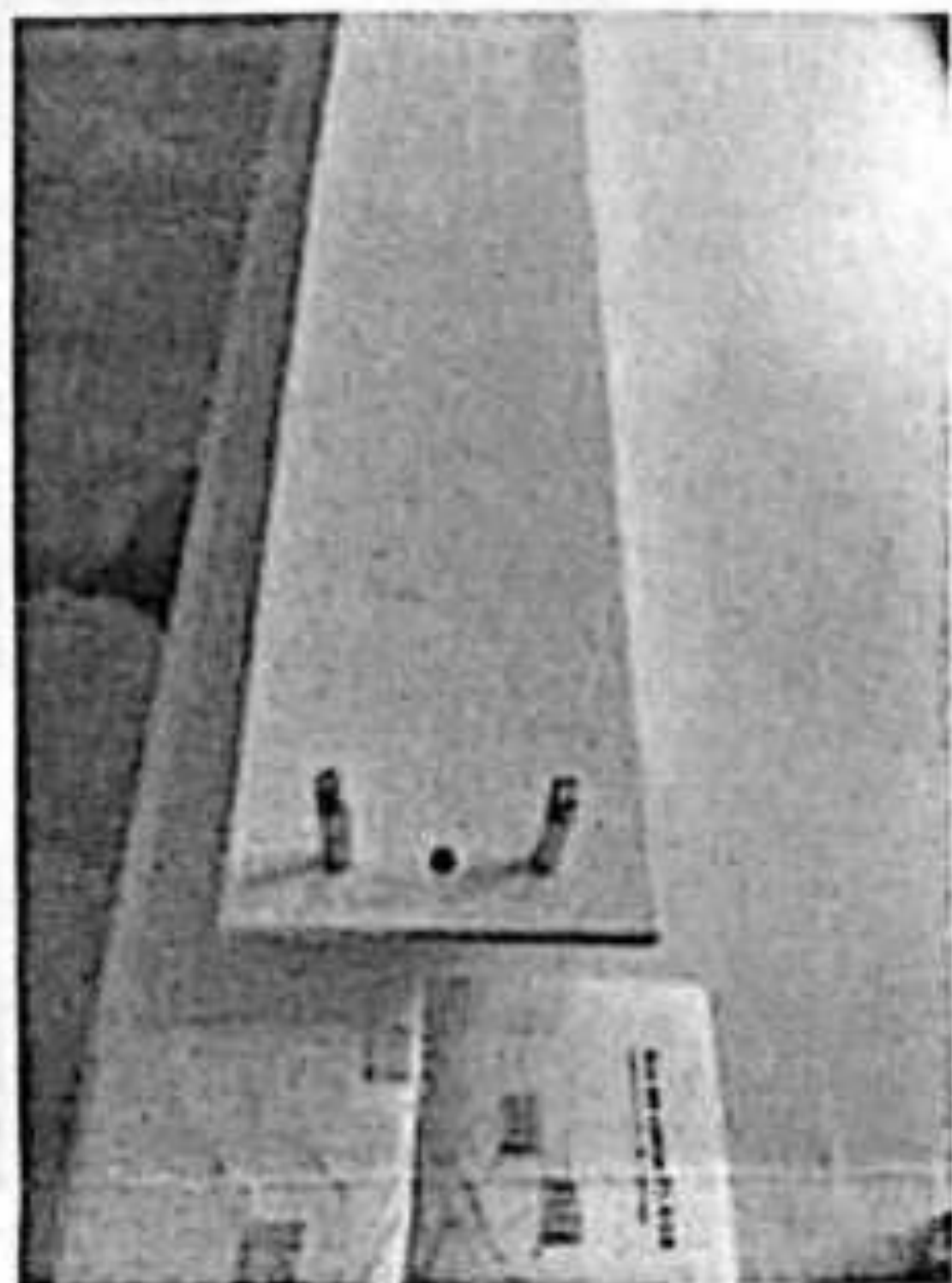
- ④ Fix the headboard to the bedframe

- ⑤ Connect the headboard light to a 110v - 240v power supply





CONTENTS OF THE BEDFRAME BOX

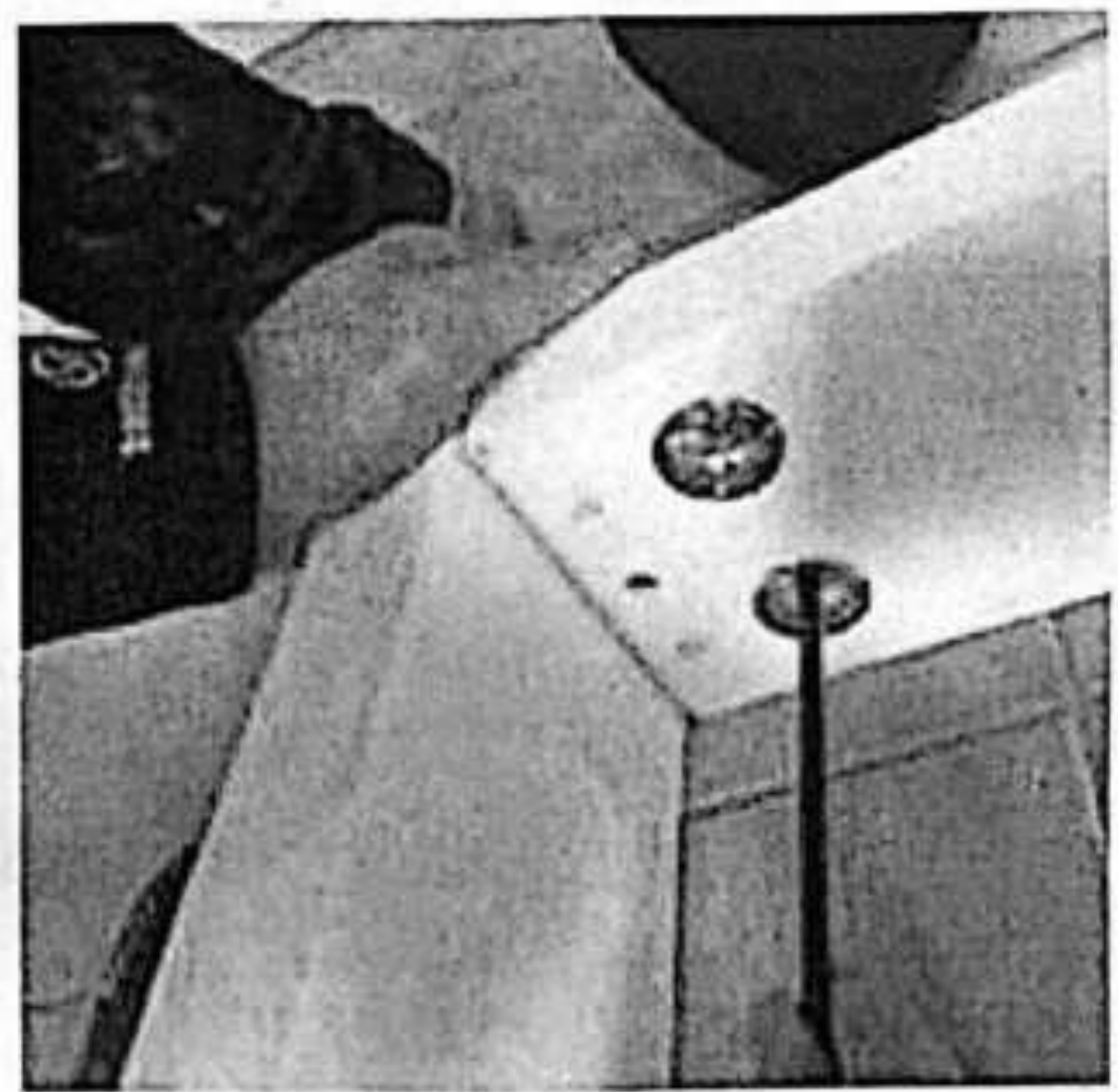
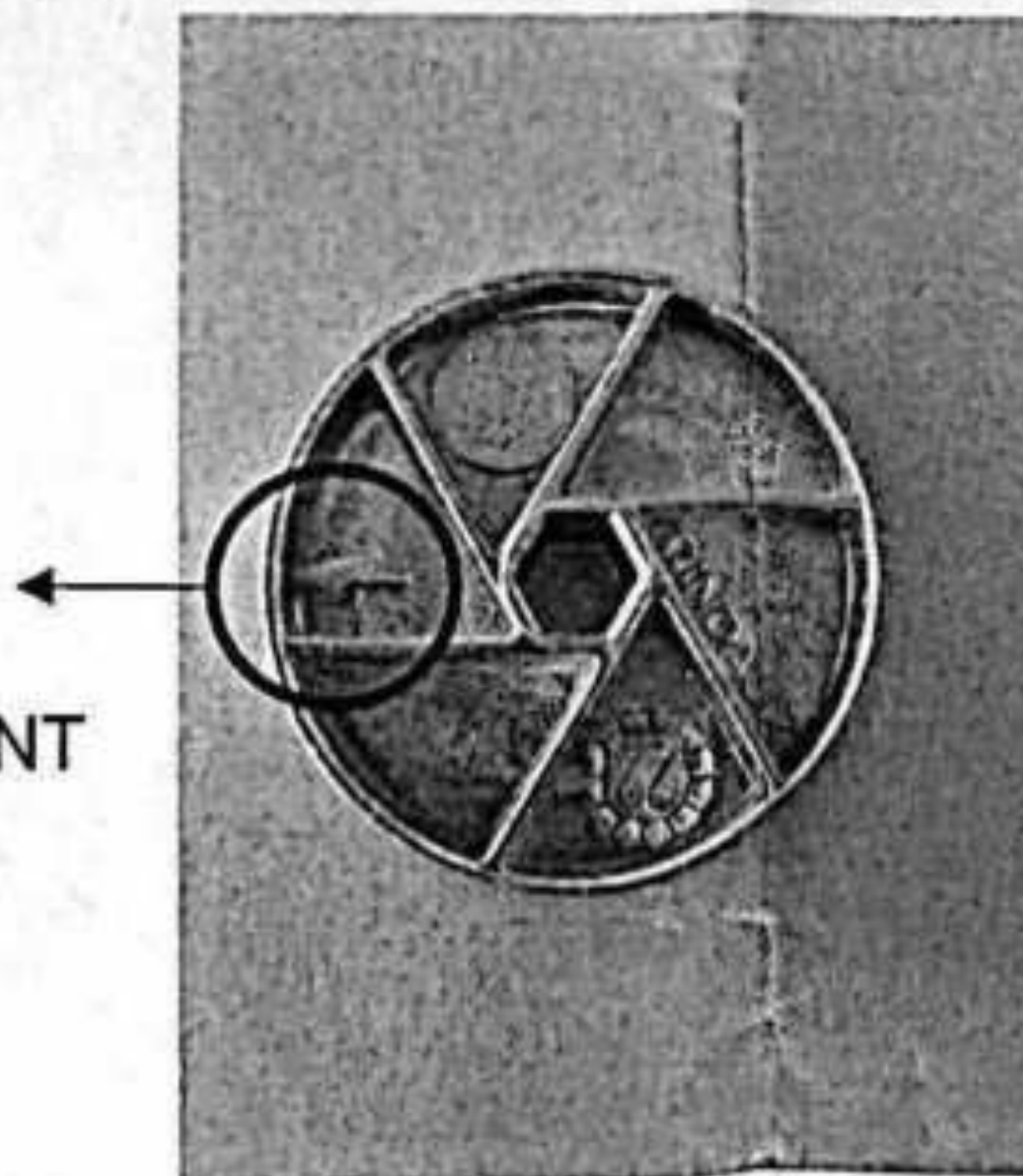


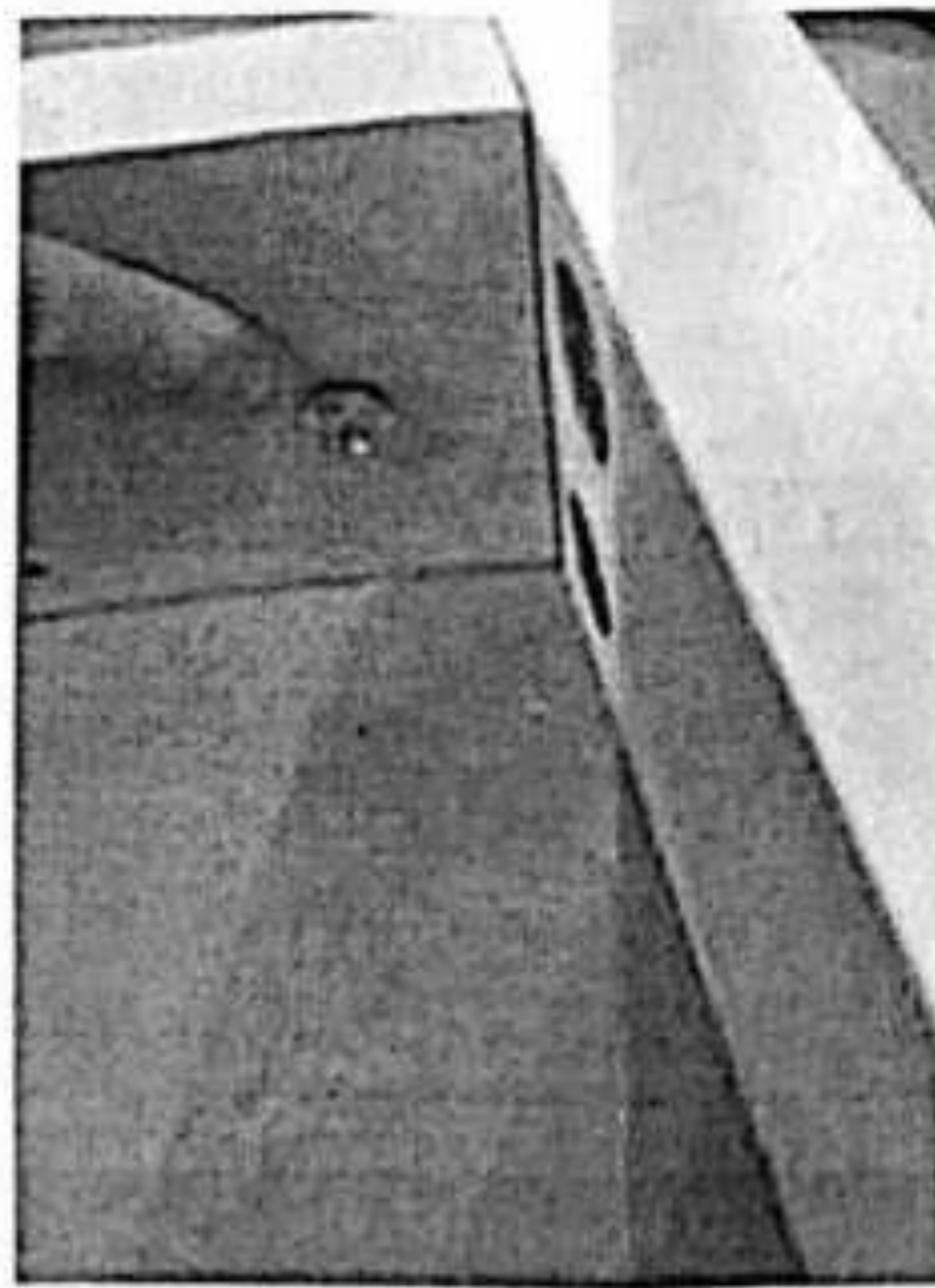
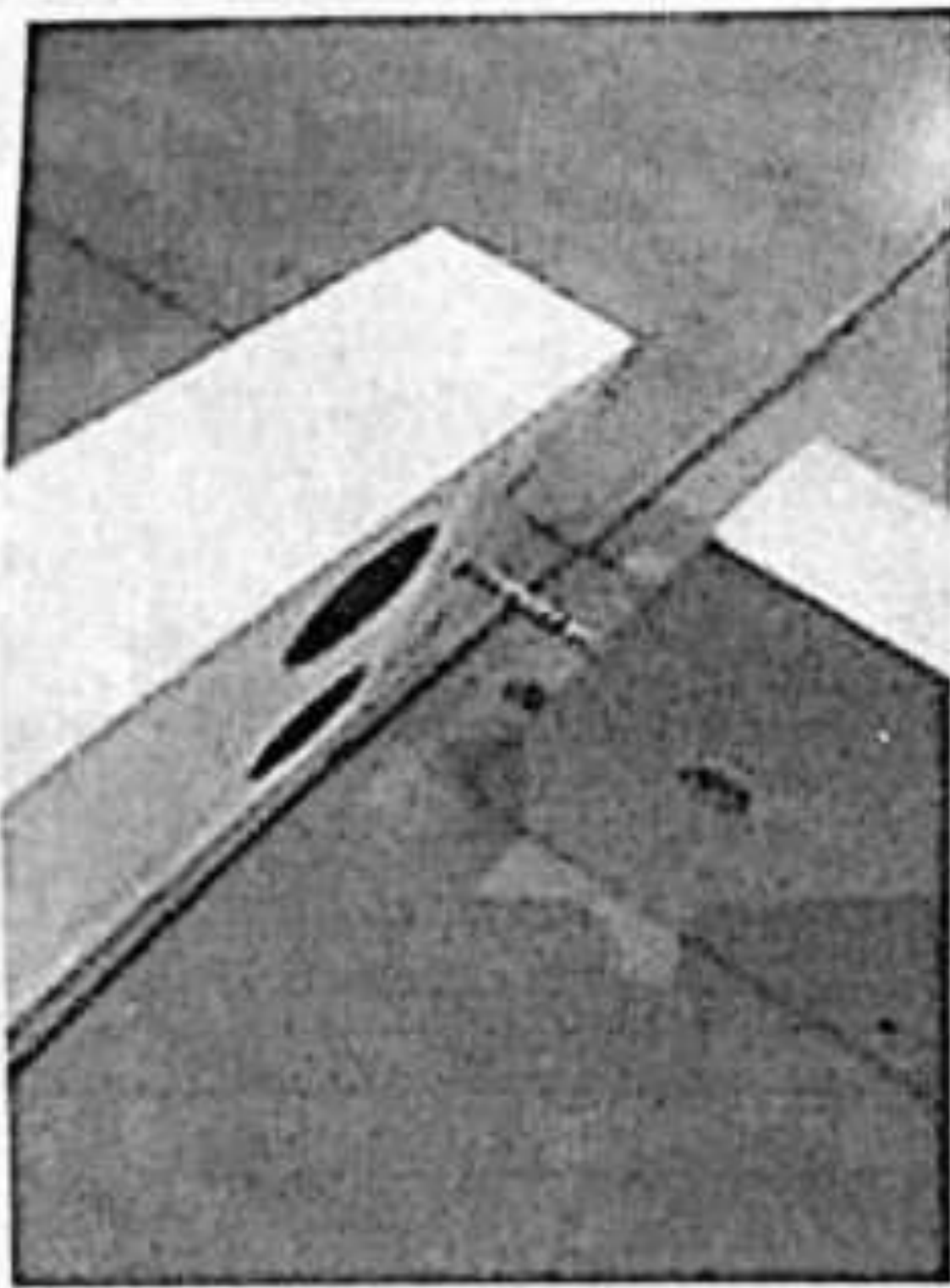
PLACE THE FITTINGS IN THE FOOT BOARD AND BOTH SIDERAILS



VERY IMPORTANT!!!!

PLACE THE FITTING WITH THE ARROW POINTING THE FOOTBOARD THAT HAS TO BE JOINT

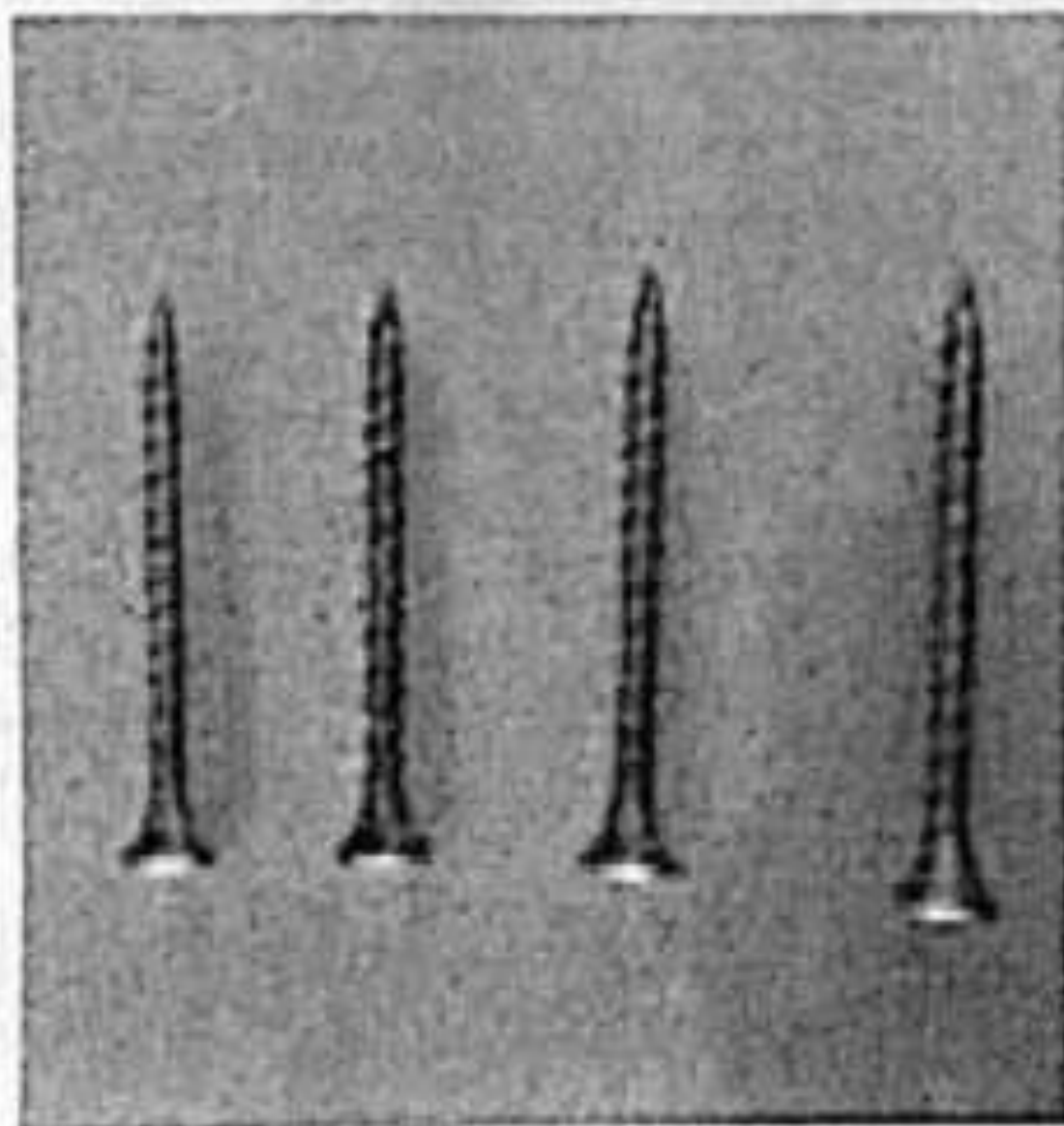




UNION BETWEEN SIDERAILS
WITH INTERIOR FOOTBOARD



ASSEMBLY METALLIC CROSSBARS
WITH SIDERAILS



FINALLY SCREW THROUGH
INTERIOR FOOTBOARD THE
BEDFRAME TO THE
HEADBOARD

