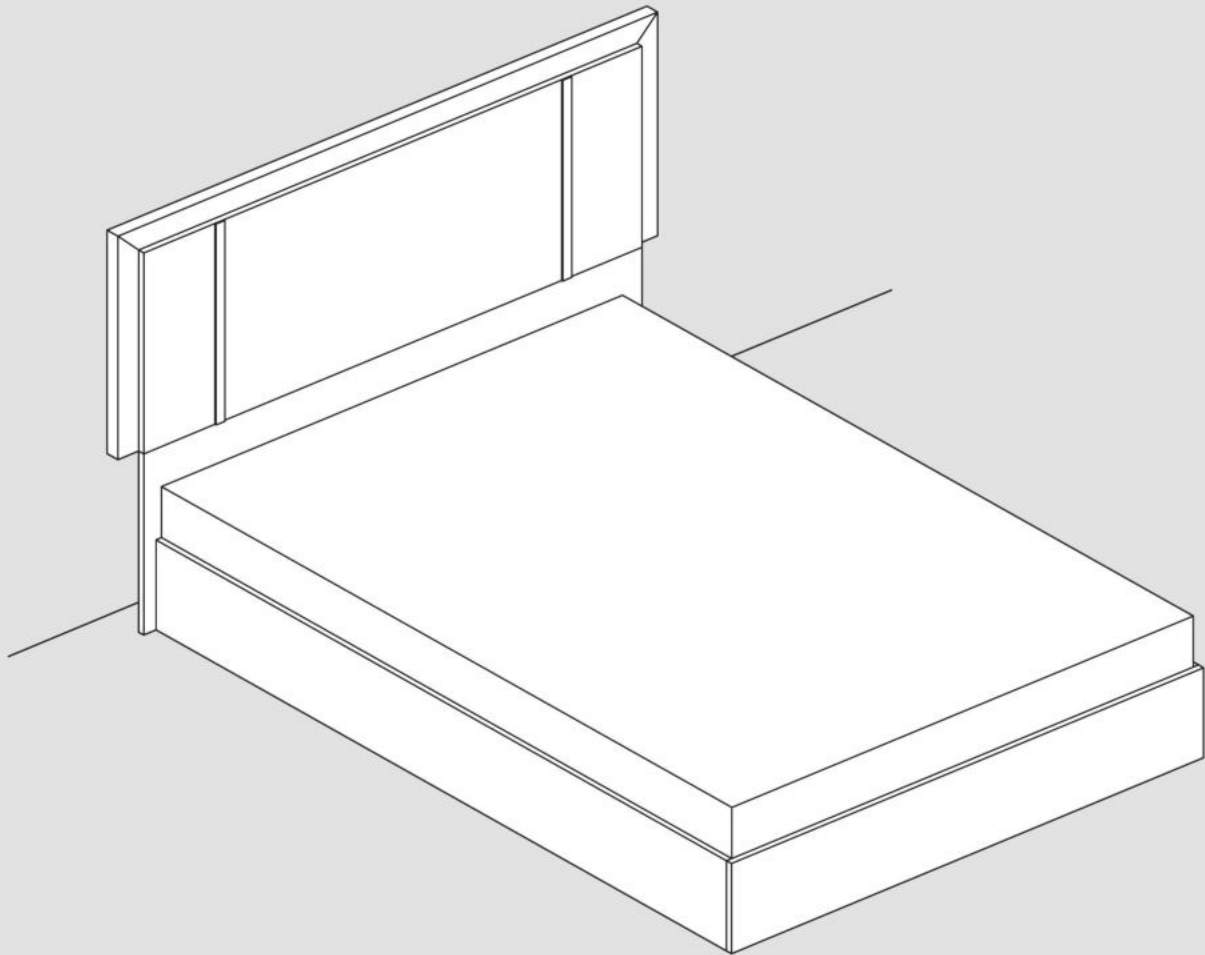
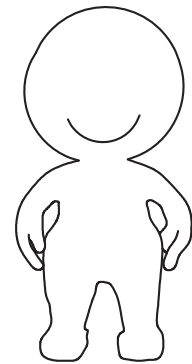
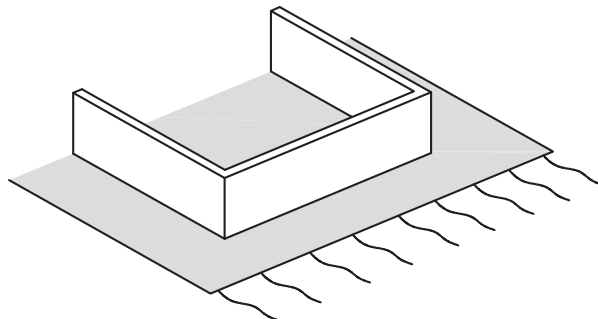
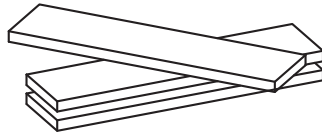
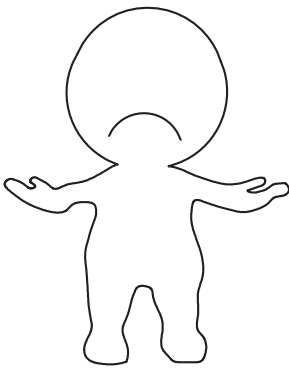
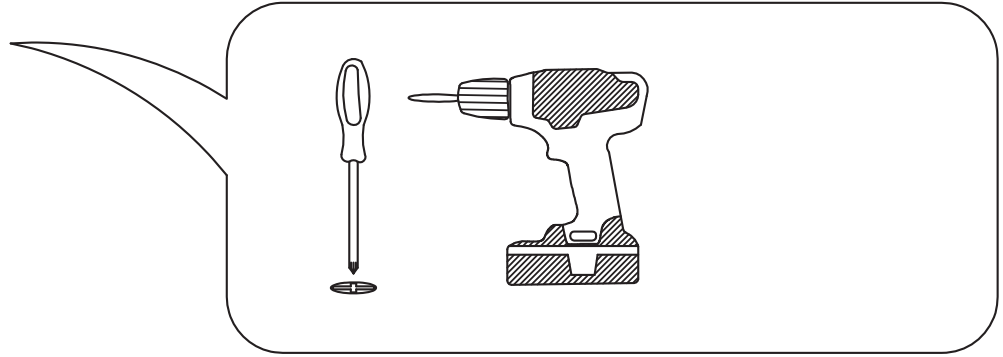
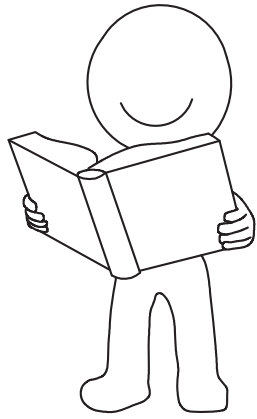
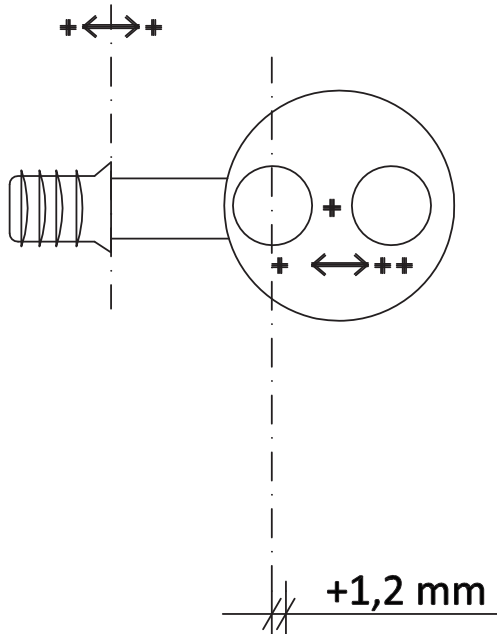

ASSEMBLING INSTRUCTIONS



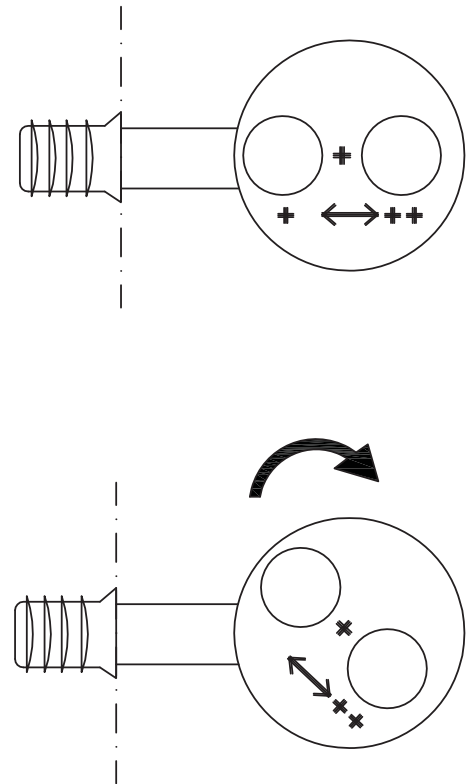
BED Q.S. - 180 - K.S.
MOD. TREVISO



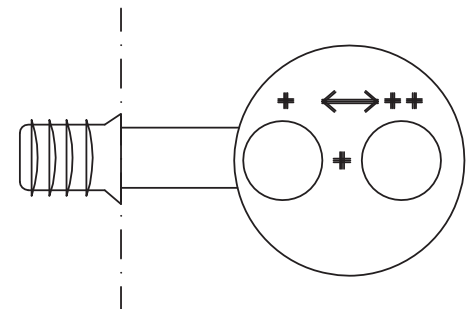
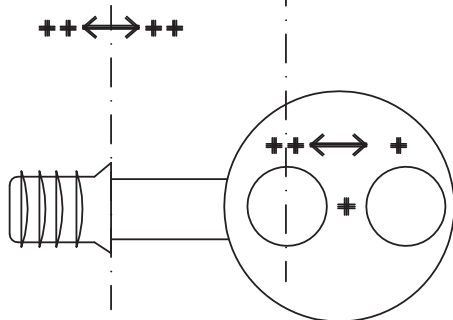
POSITION +



180° ROTATION TO CHANGE POSITION



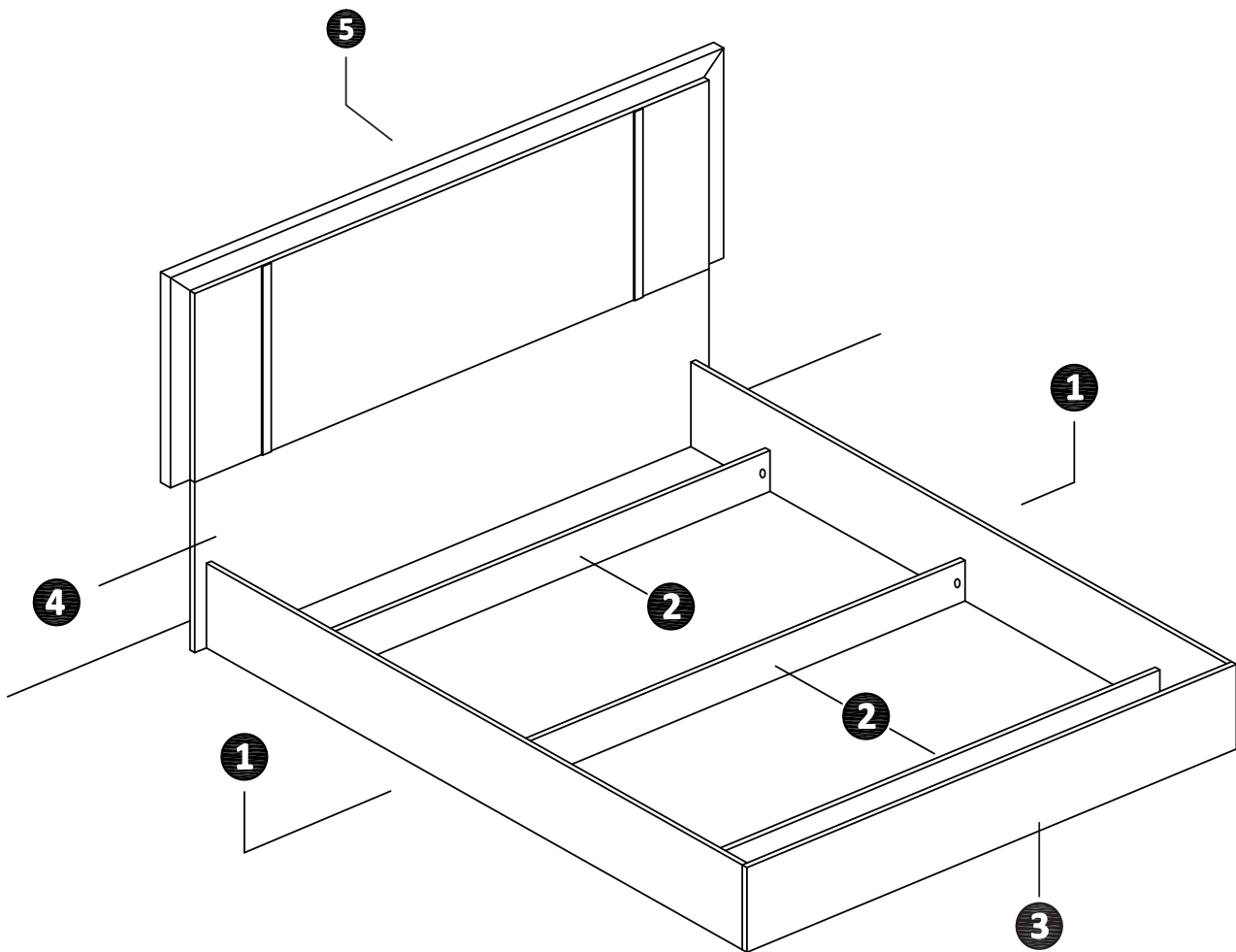
POSITION +




TO CHANGE THE LOCKING POSITION, REMOVE THE LOCKING SCREW AND ROTATE THE JUNCTION BY 180° WITH A SCREWDRIVER


LEGEND


- ① Side rails
- ② Crosspieces
- ③ Footboard
- ④ Under Headboard
- ⑤ Headboard

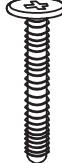


GENERAL FITTINGS CHECK LIST


A  **Wooden Dowels**
10x30
x16

F  **Screws**
6Mx15
x16

B  **Wooden Dowels**
8x30
x12

G  **Screws**
6MX25
x24

C  **Pins**
"VIS"
x8

H  **Pins**
x6

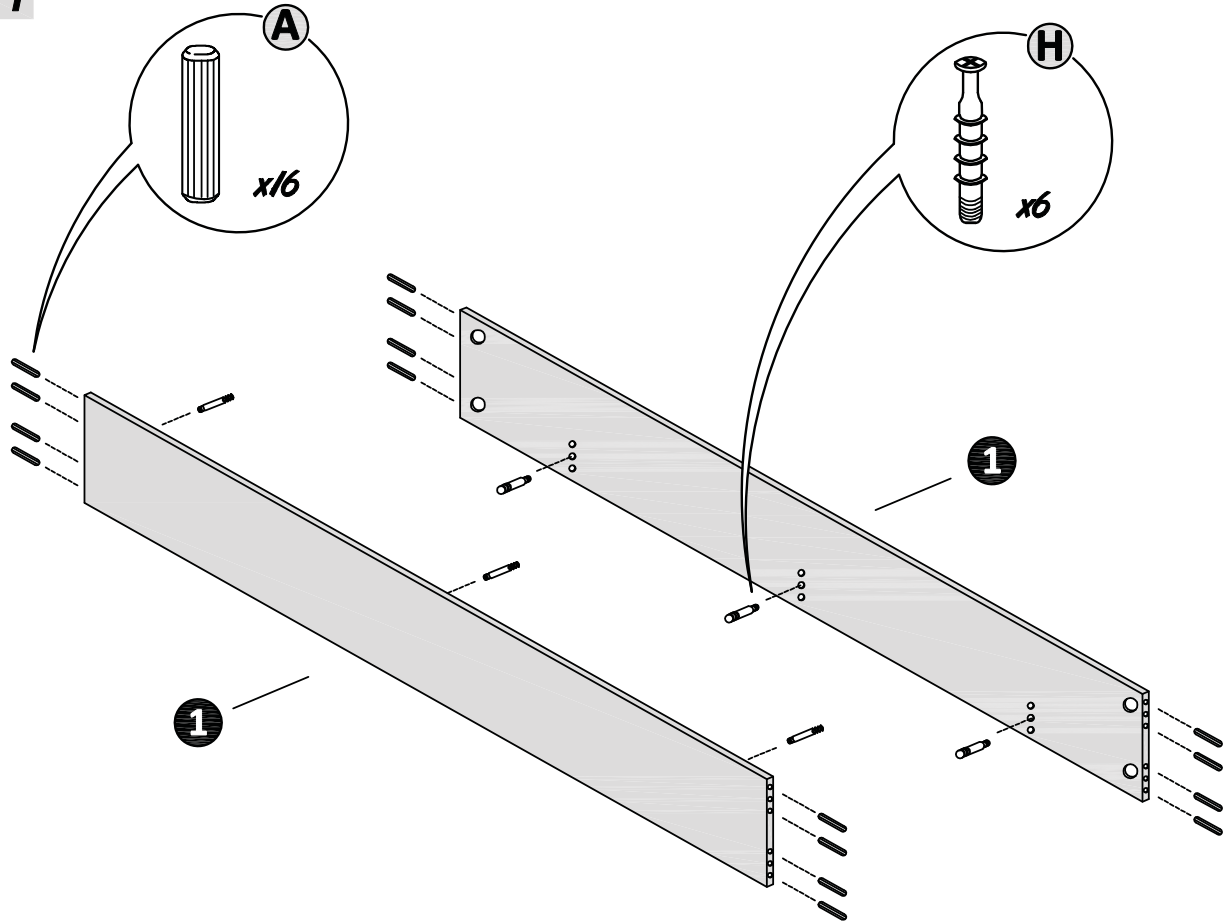
D  **Cams**
"VIS"
x8

I  **Cams**
x6

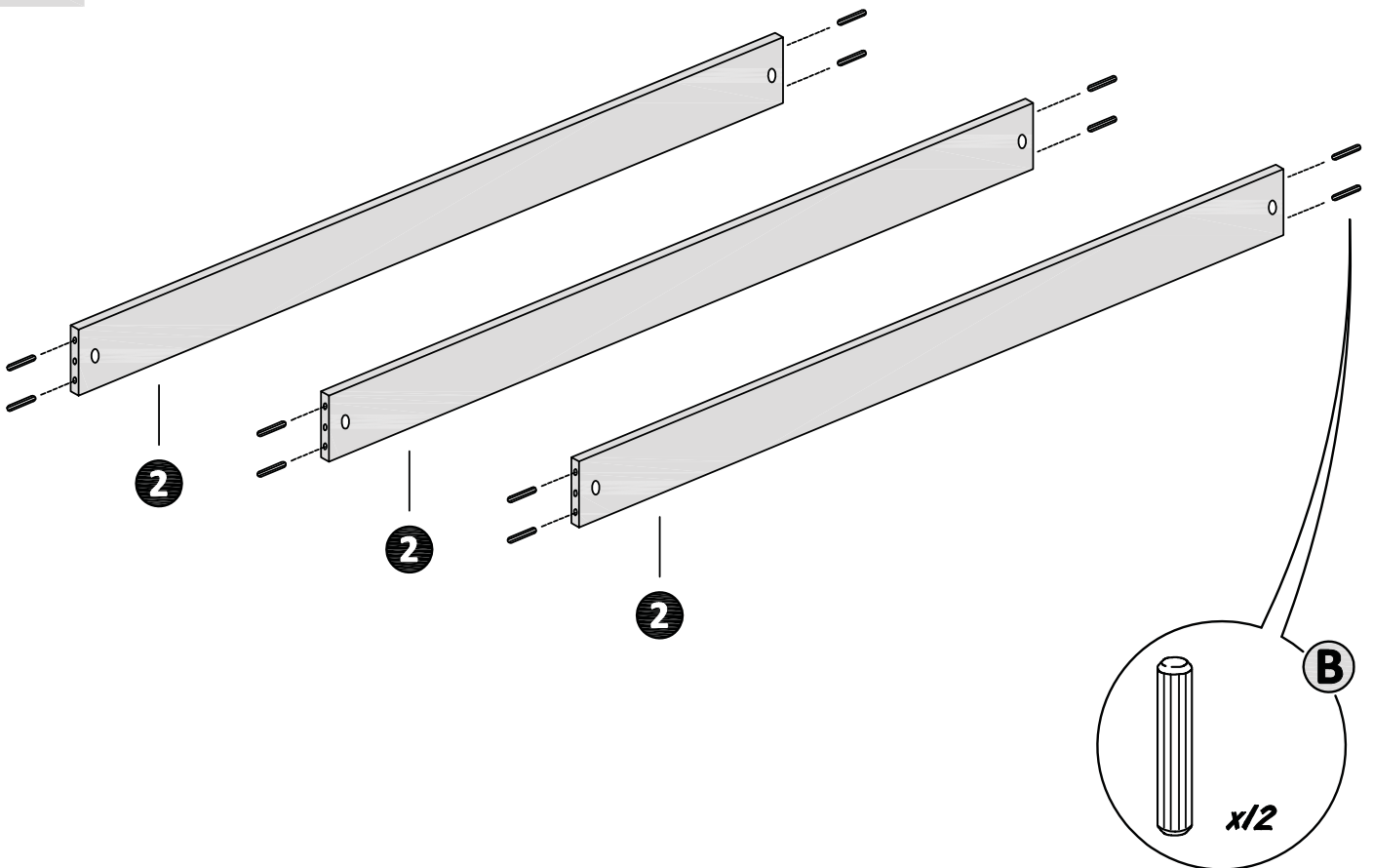
E  **Grub screws**
"VIS"
x8

L  **Screws**
3,5x50
x6

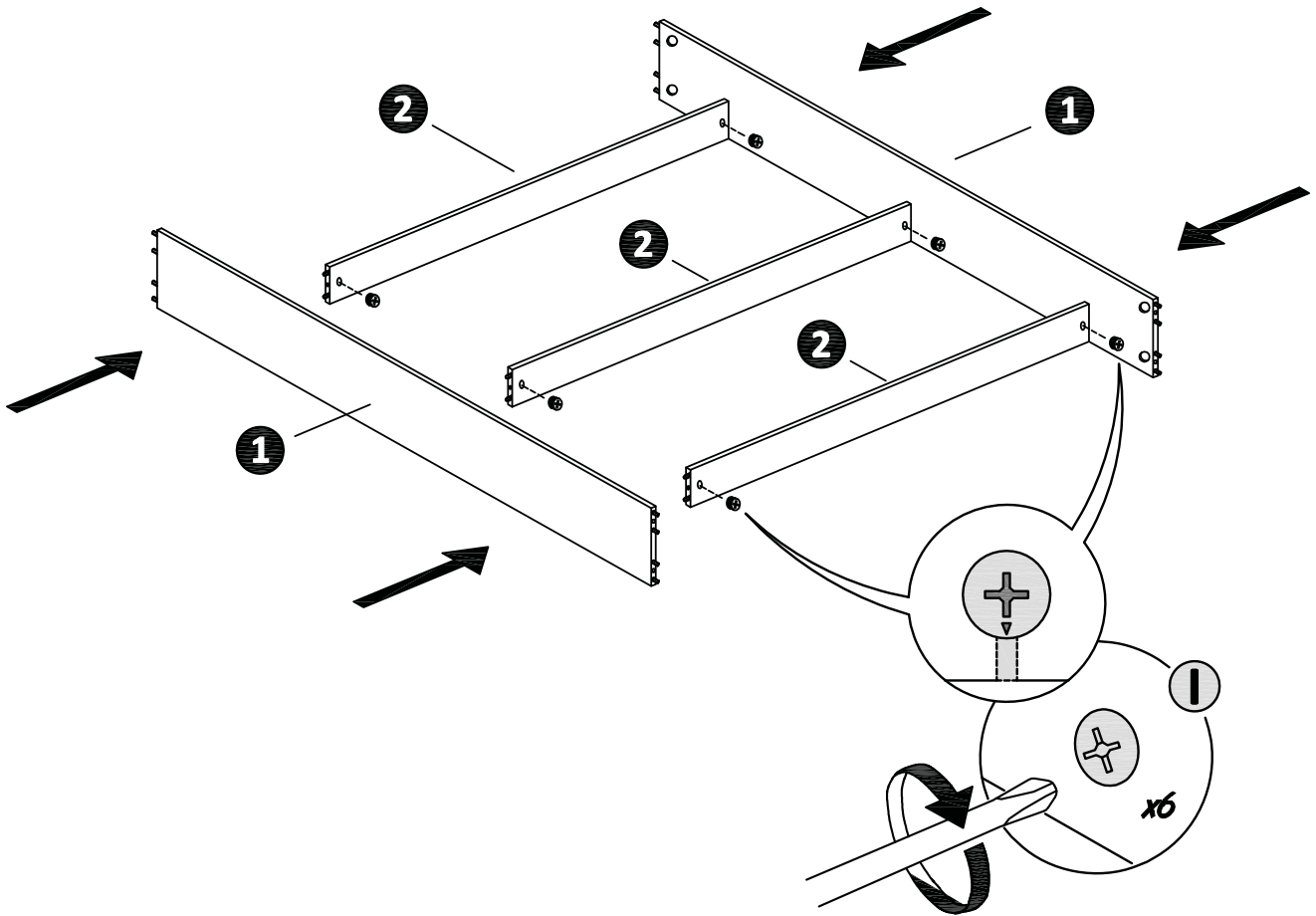
1



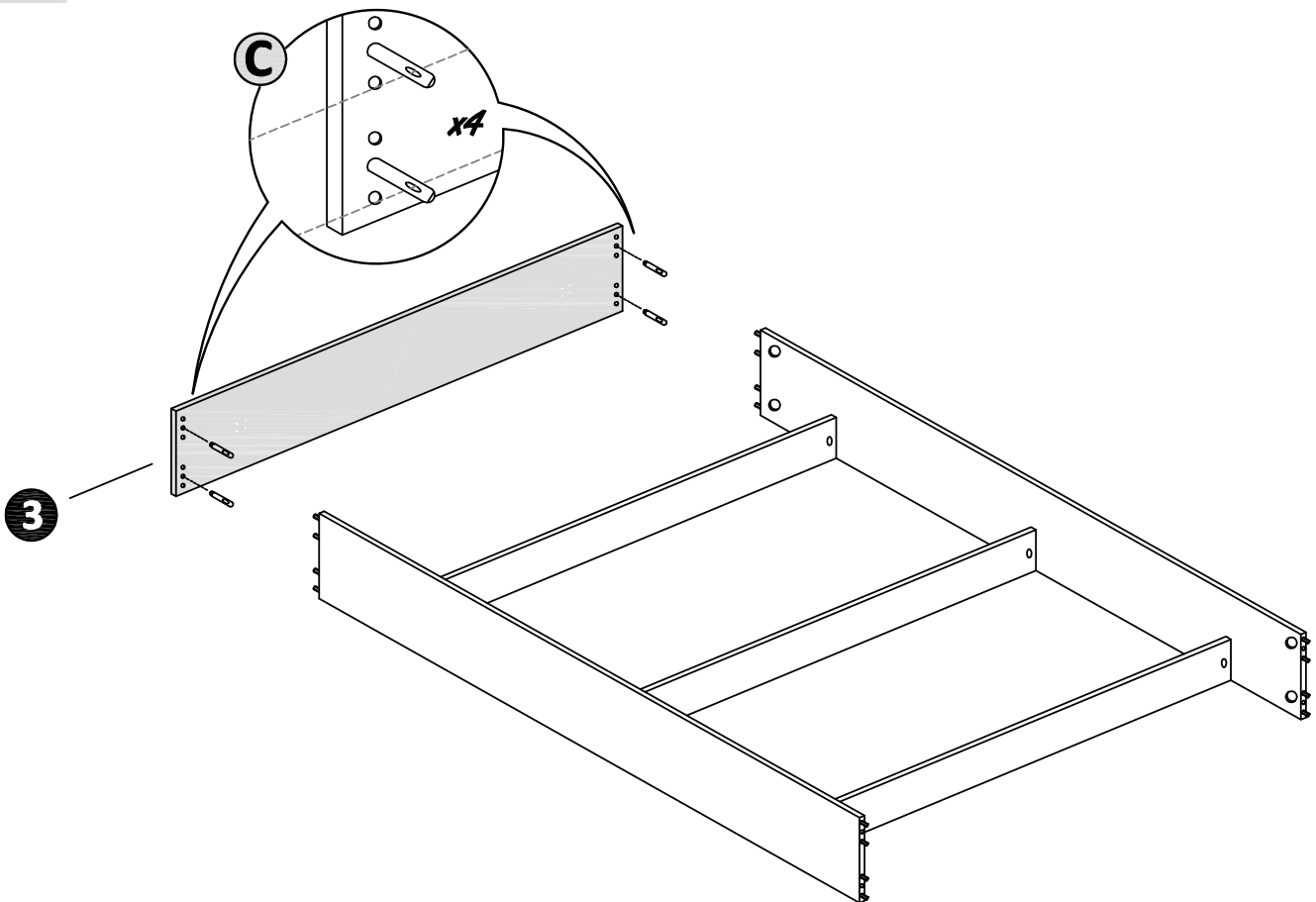
2



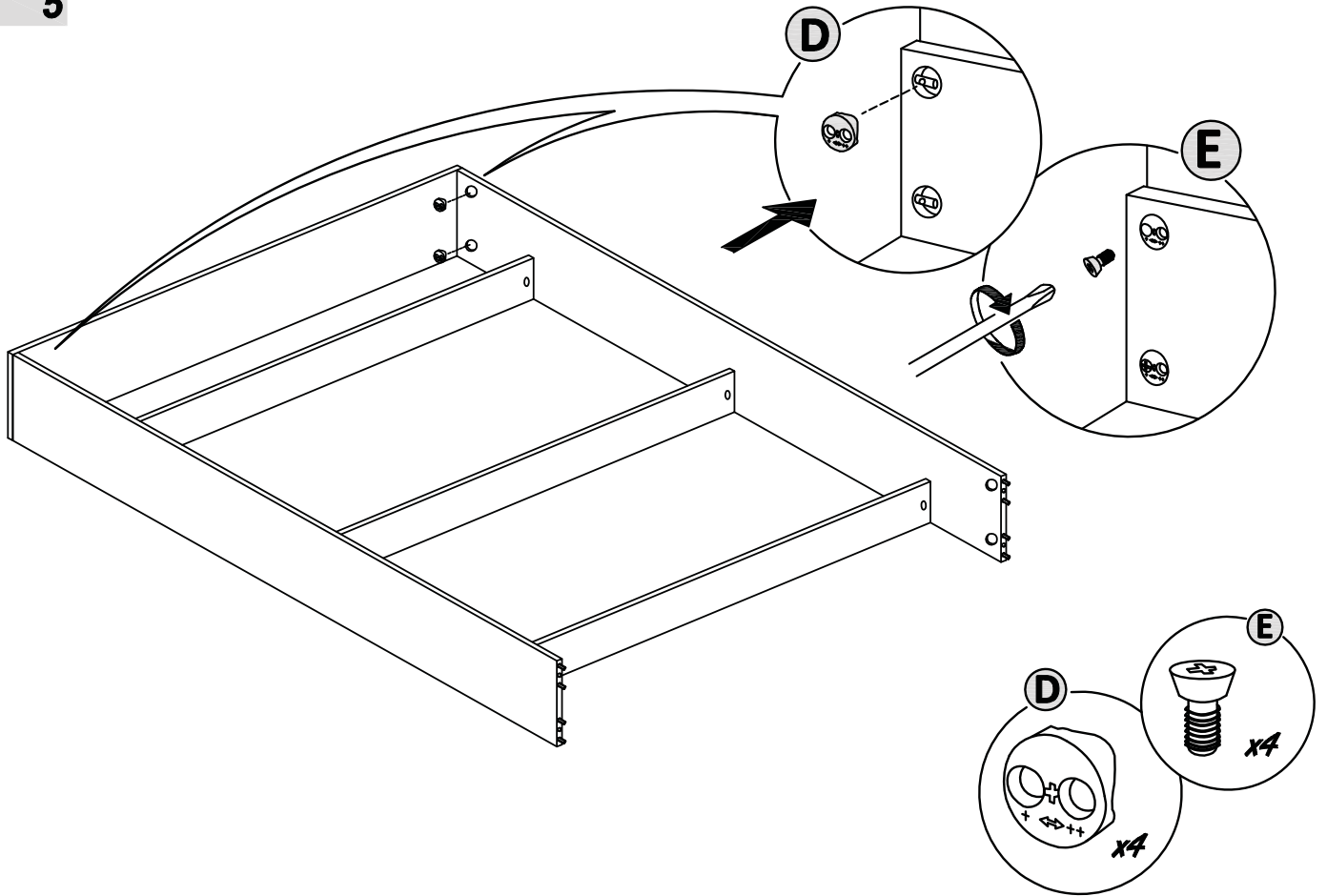
3



4



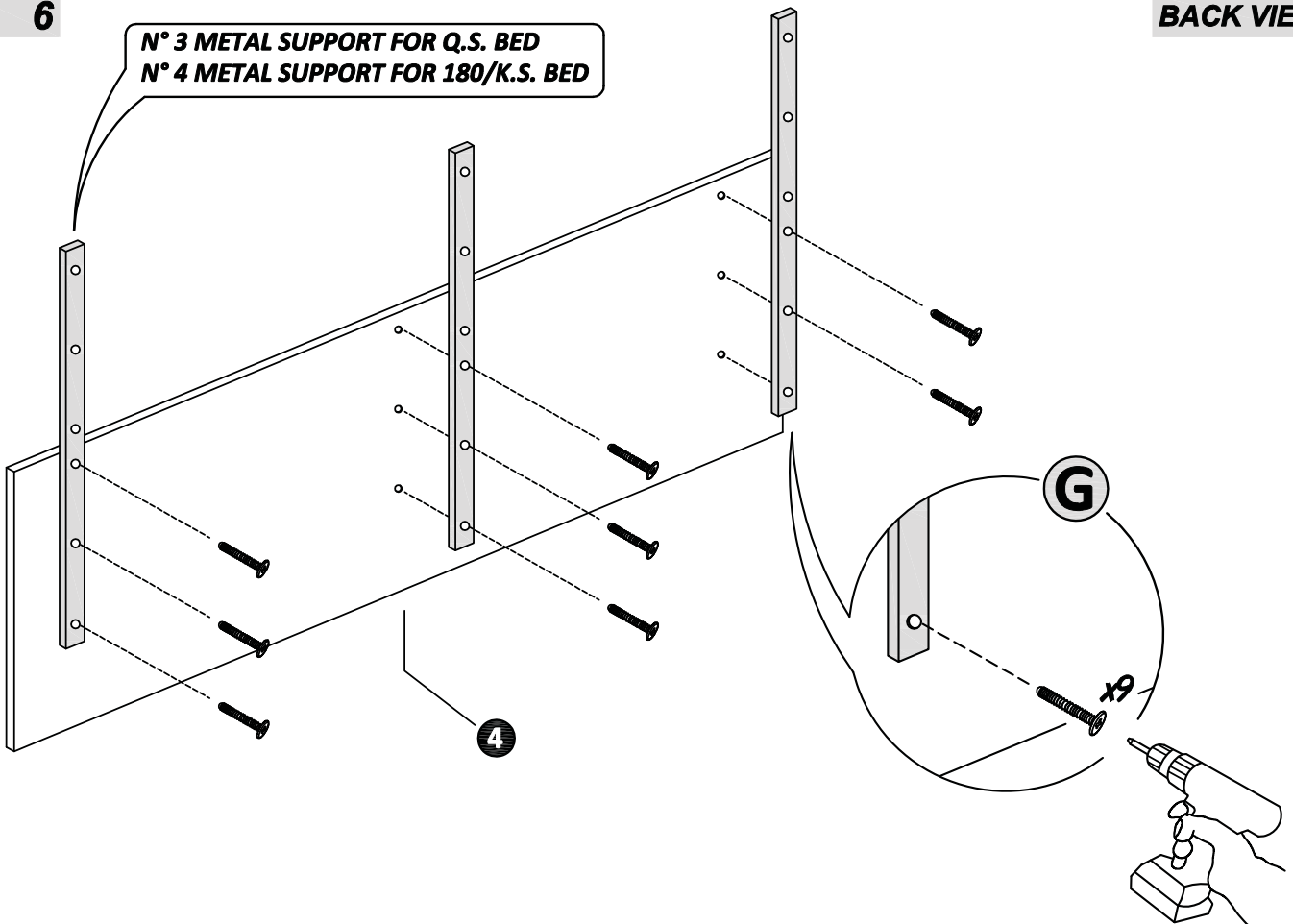
5

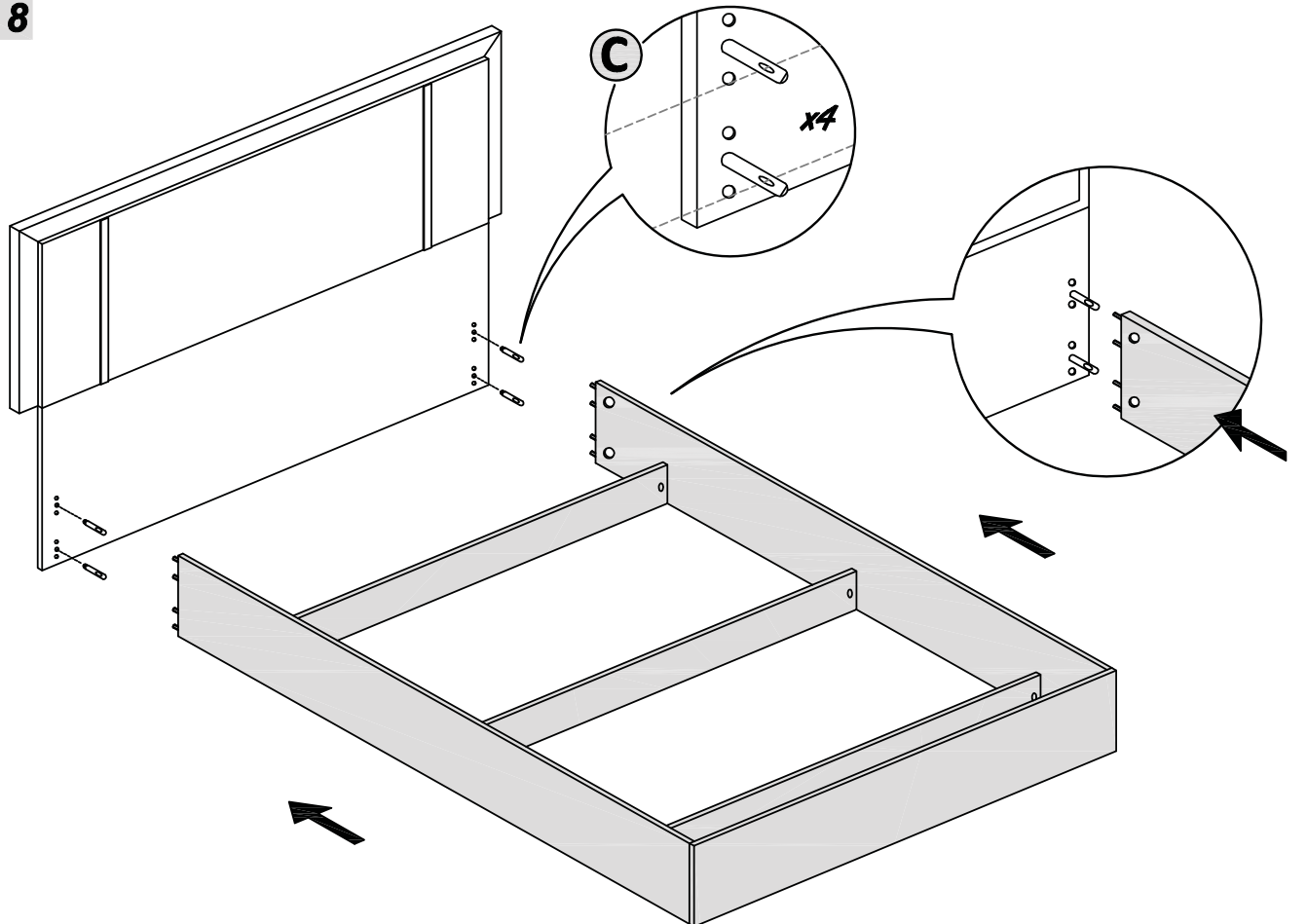
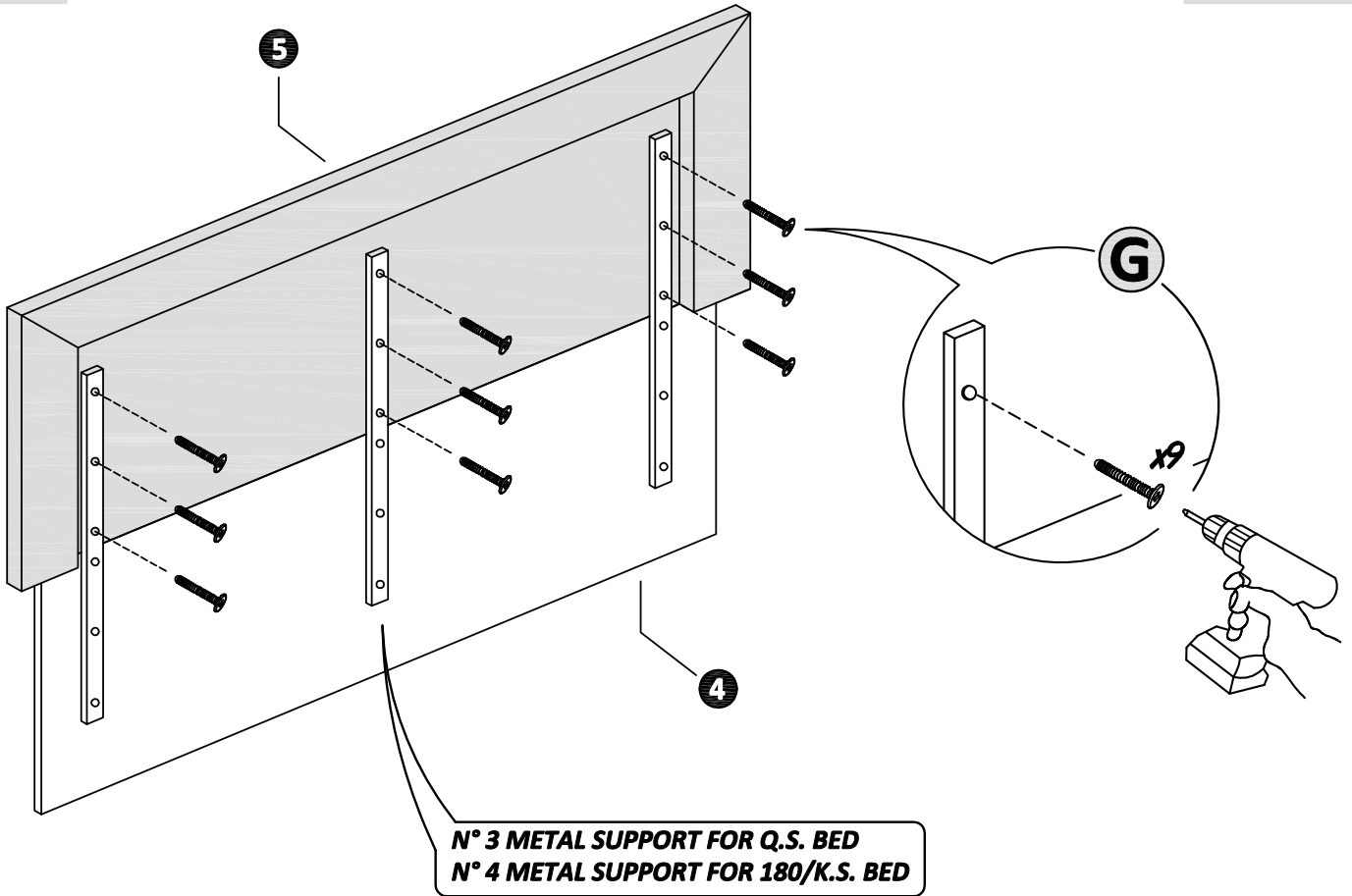


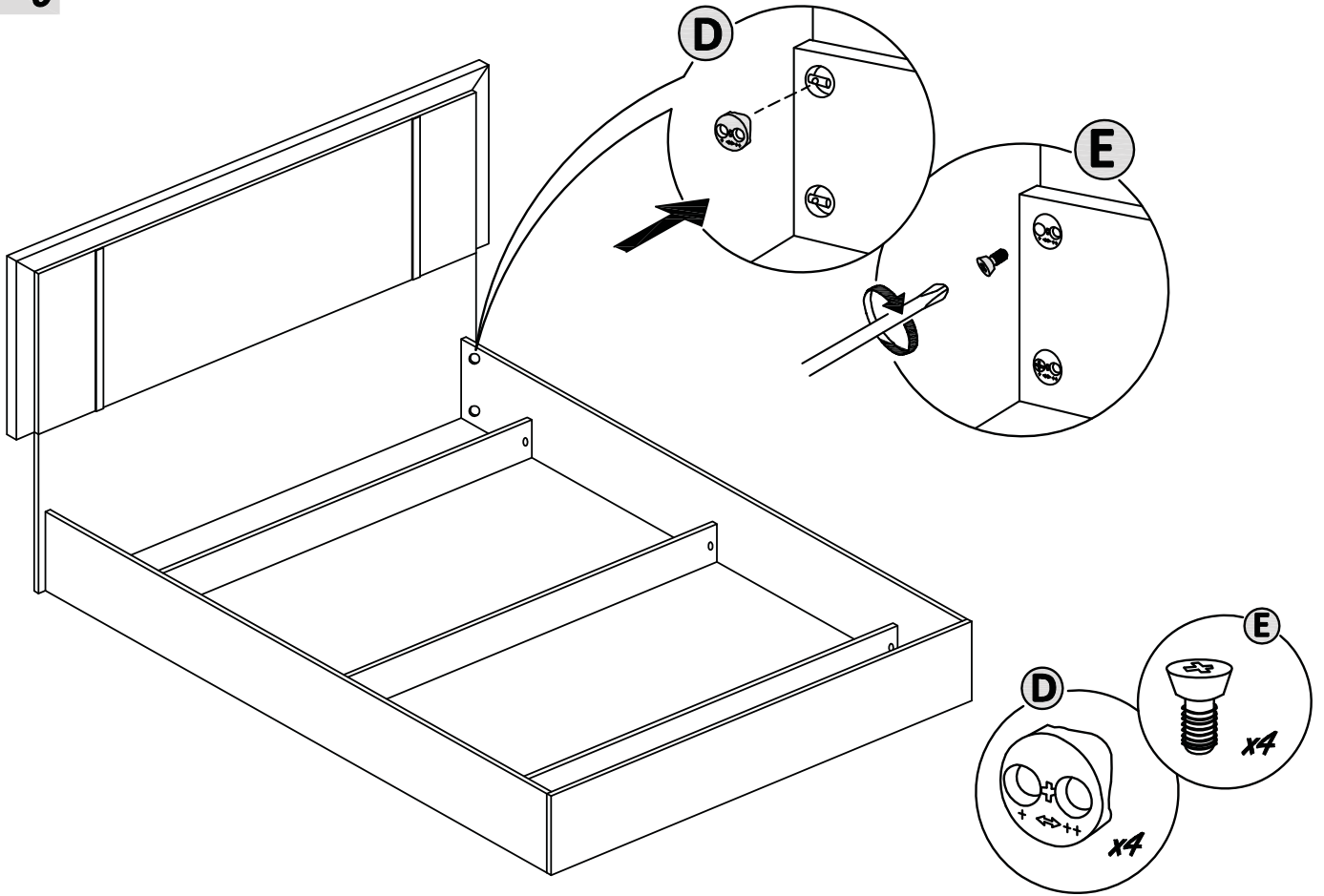
6

N° 3 METAL SUPPORT FOR Q.S. BED
N° 4 METAL SUPPORT FOR 180/K.S. BED

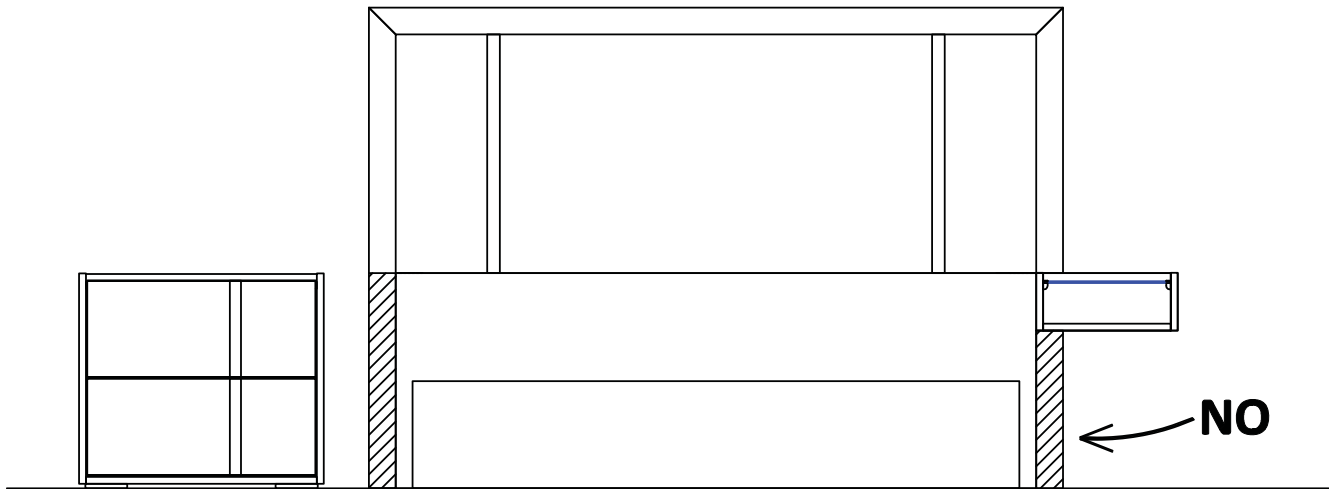
BACK VIEW





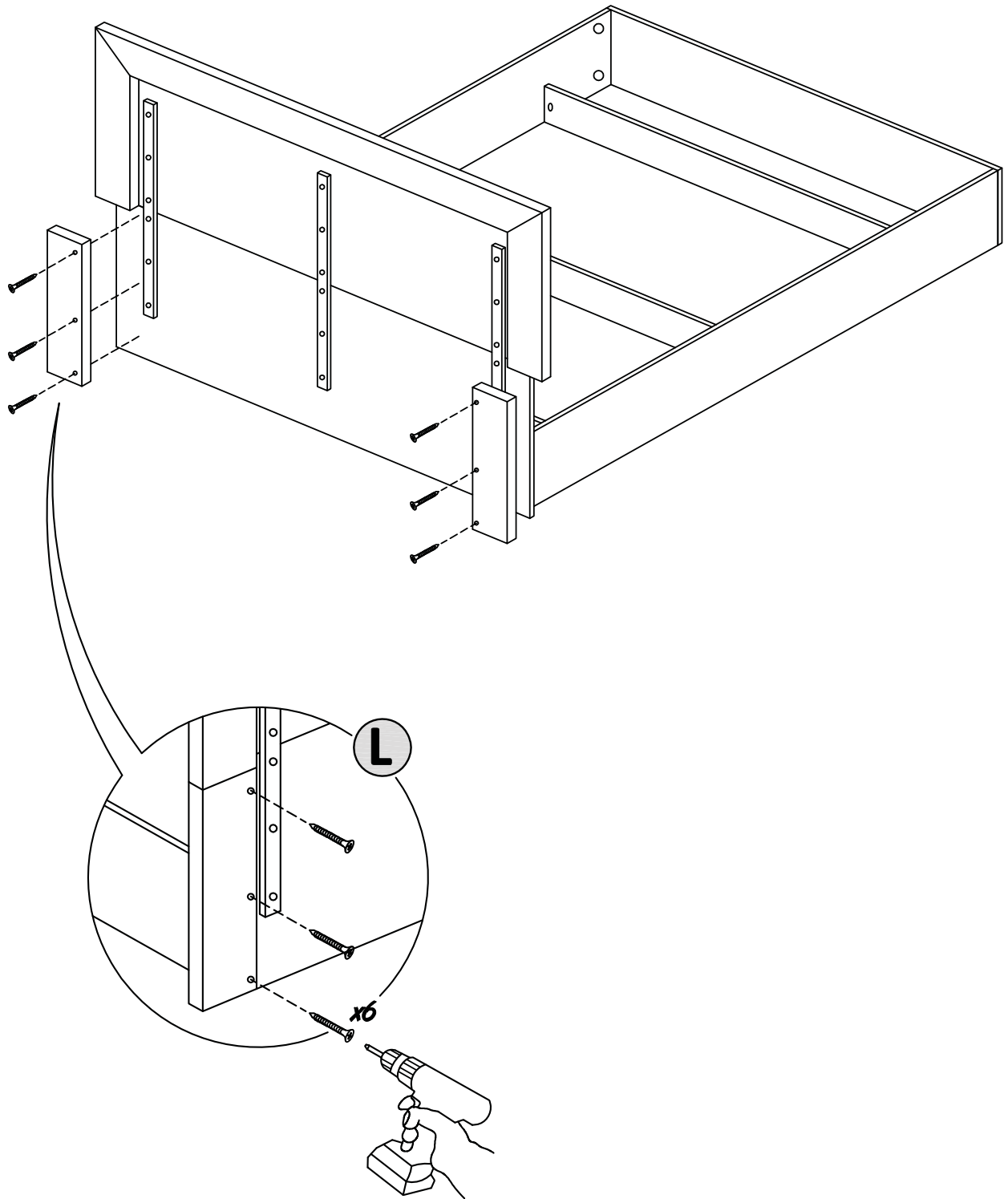


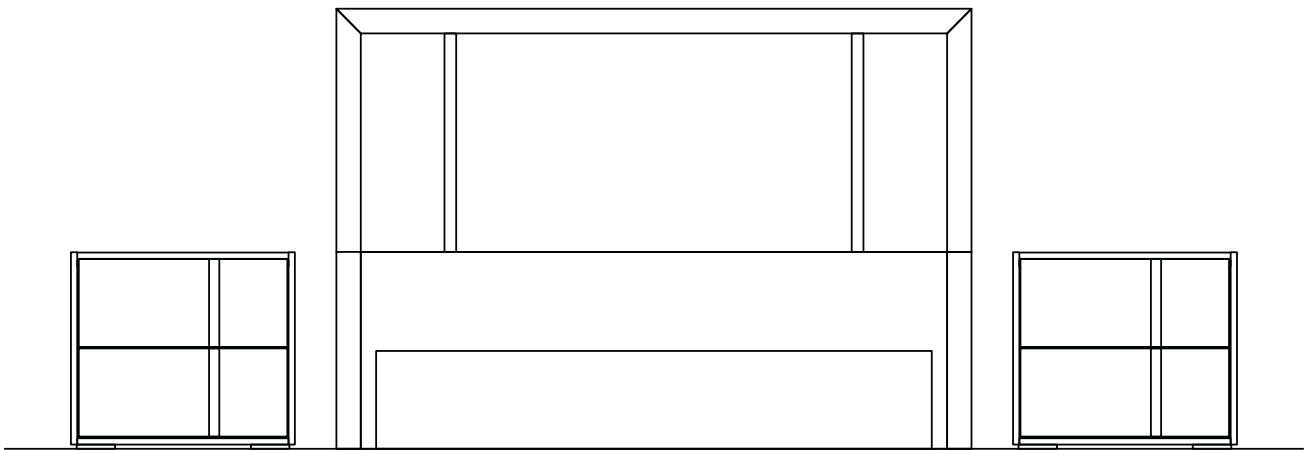
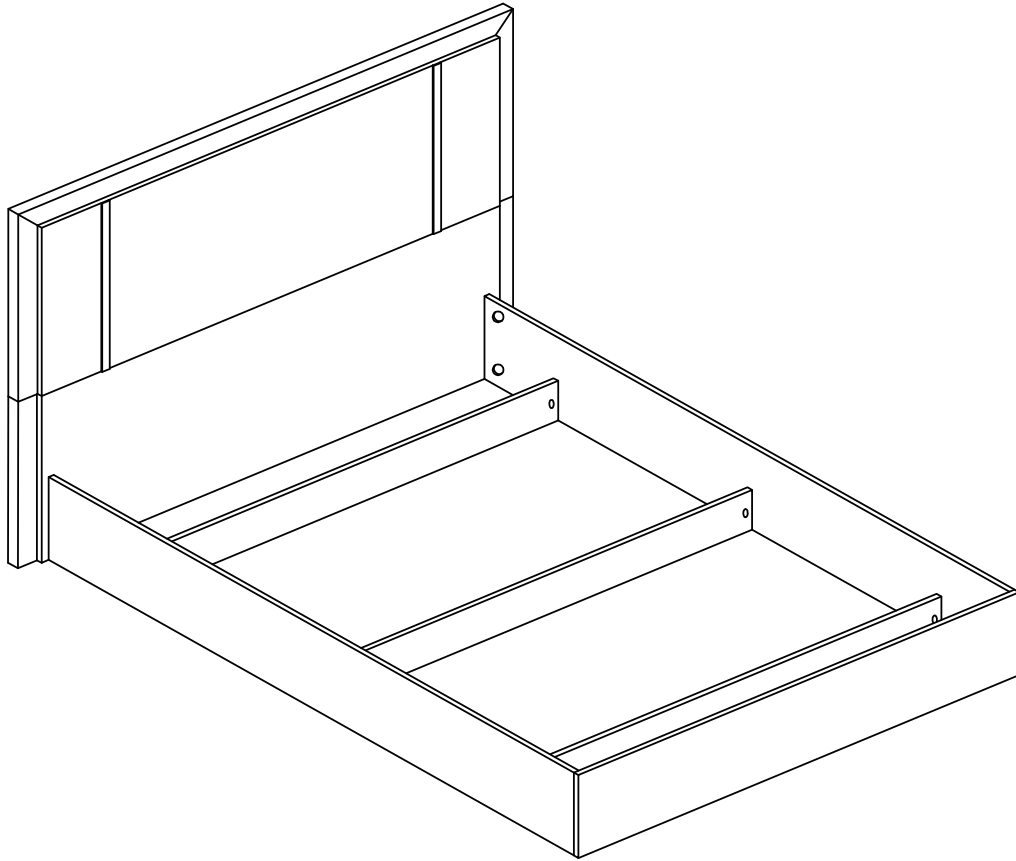
ATTENTION



THE WOODEN TRIM HAS TO BE ASSEMBLED ONLY WITH STANDARD NIGHT TABLE

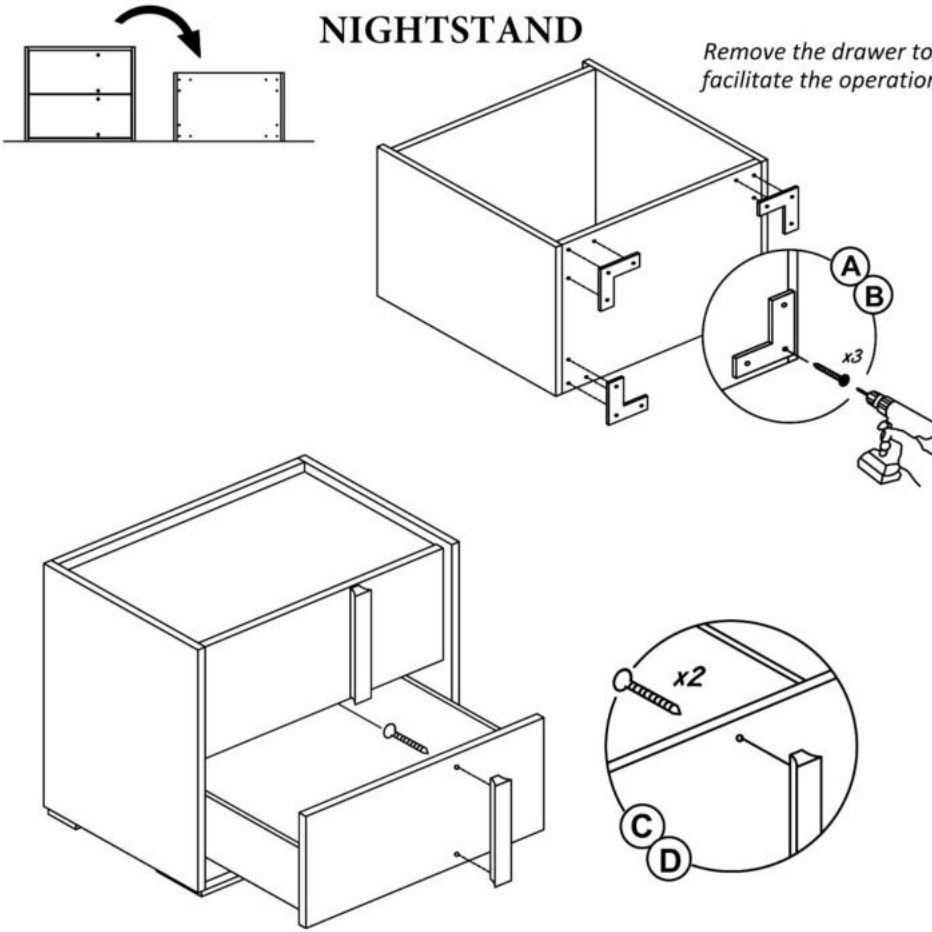
ASSEMBLING WOODEN TRIM





NIGHTSTAND

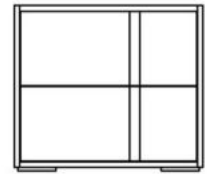
Remove the drawer to facilitate the operation



TREVISO

FITTINGS CHECK LIST

- (A) Screws for feet $\varnothing 3,5$ L25 (12)
- (B) Feet (4)
- (C) Handles (2)
- (D) Screws for handles $\varnothing 3,5$ L25 (4)

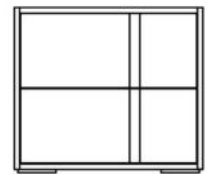


Model	TREVISO Bedroom
Code	ERTRBWHCD01
Item	Night Table

TREVISO

FITTINGS CHECK LIST

- (A) Screws for feet $\varnothing 3,5$ L25 (12)
- (B) Feet (4)
- (C) Handles (2)
- (D) Screws for handles $\varnothing 3,5$ L25 (4)



Model	TREVISO Bedroom
Code	ERTRBWHCD01
Item	Night Table

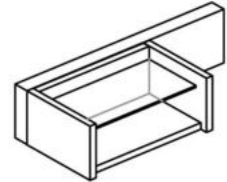
TREVISO

LEGEND

- 1 Floating Night Table
- 2 Under Headboard

FITTINGS CHECK LIST

- A  Wooden Dowels (6)
- B  Screws for feet 6M L45 (8)
- C  Support (1)





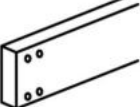
Model	TREVISO Bedroom
Code	ERTRBWHCD02
Item	Floating Night Table

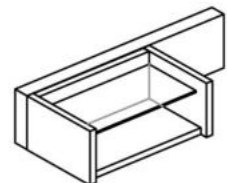
TREVISO

LEGEND

- 1 Floating Night Table
- 2 Under Headboard

FITTINGS CHECK LIST

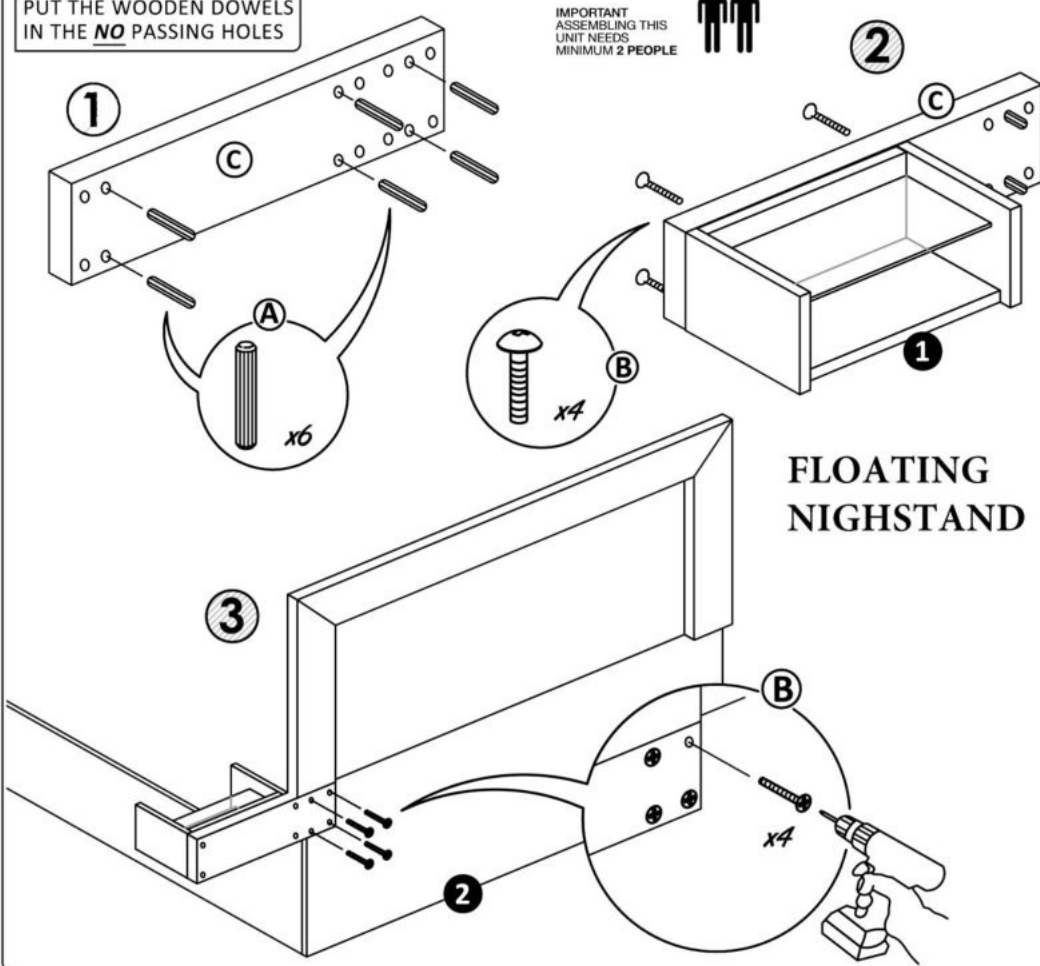
- A  Wooden Dowels (6)
- B  Screws for feet 6M L45 (8)
- C  Support (1)



Model	TREVISO Bedroom
Code	ERTRBWHCD02
Item	Floating Night Table

PUT THE WOODEN DOWELS IN THE **NO** PASSING HOLES

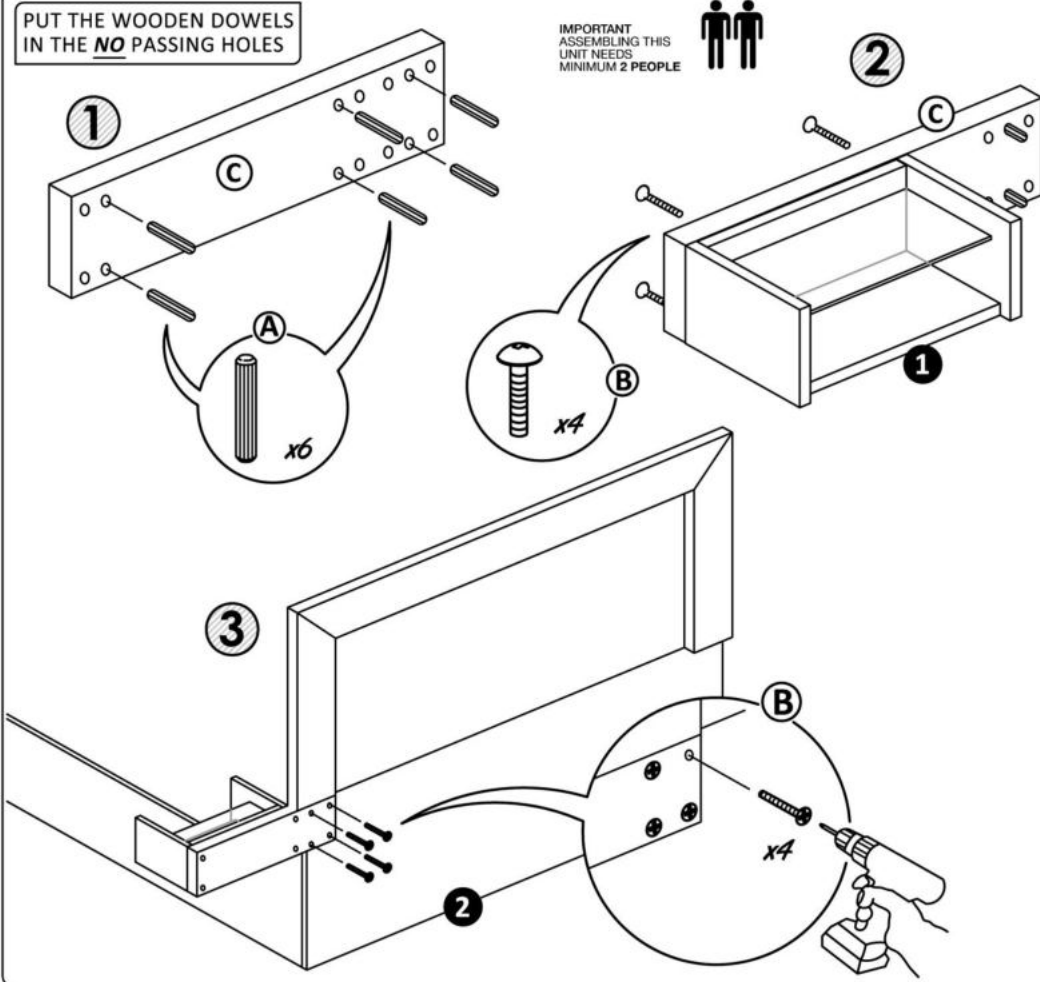
IMPORTANT ASSEMBLING THIS UNIT NEEDS MINIMUM 2 PEOPLE



FLOATING NIGHTSTAND

PUT THE WOODEN DOWELS IN THE **NO** PASSING HOLES

IMPORTANT ASSEMBLING THIS UNIT NEEDS MINIMUM 2 PEOPLE



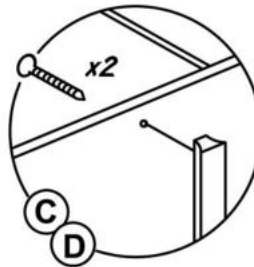
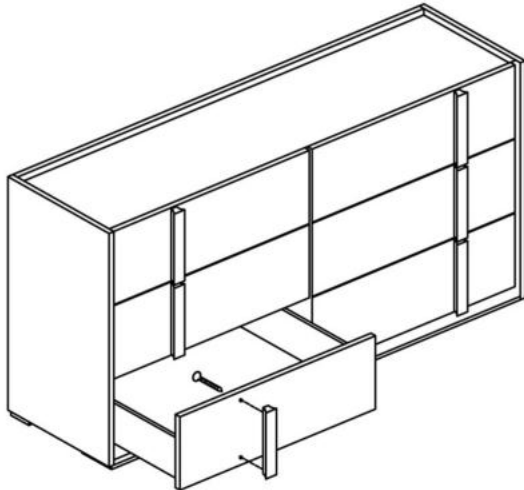
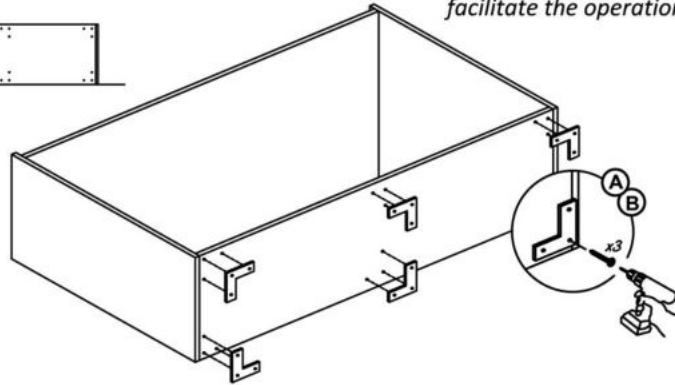
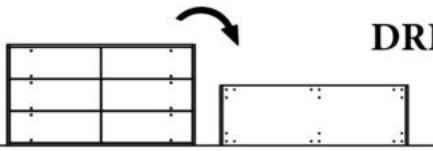
Model TREVISO Bedroom

Code ERTRBWHCD02

Item Floating Night Table





DRESSER

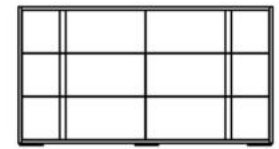
Remove the drawer to facilitate the operation



TREVISO

FITTINGS CHECK LIST





- (A)  Screws for feet $\varnothing 3,5$ L25 (18)
- (B)  Feet (6)
- (C)  Handles (6)
- (D)  Screws for handles $\varnothing 3,5$ L25 (12)

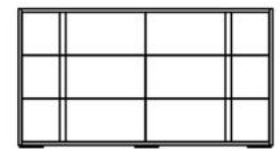


Model	TREVISO Bedroom
Code	ERTRBWHCM01
Item	Night Table

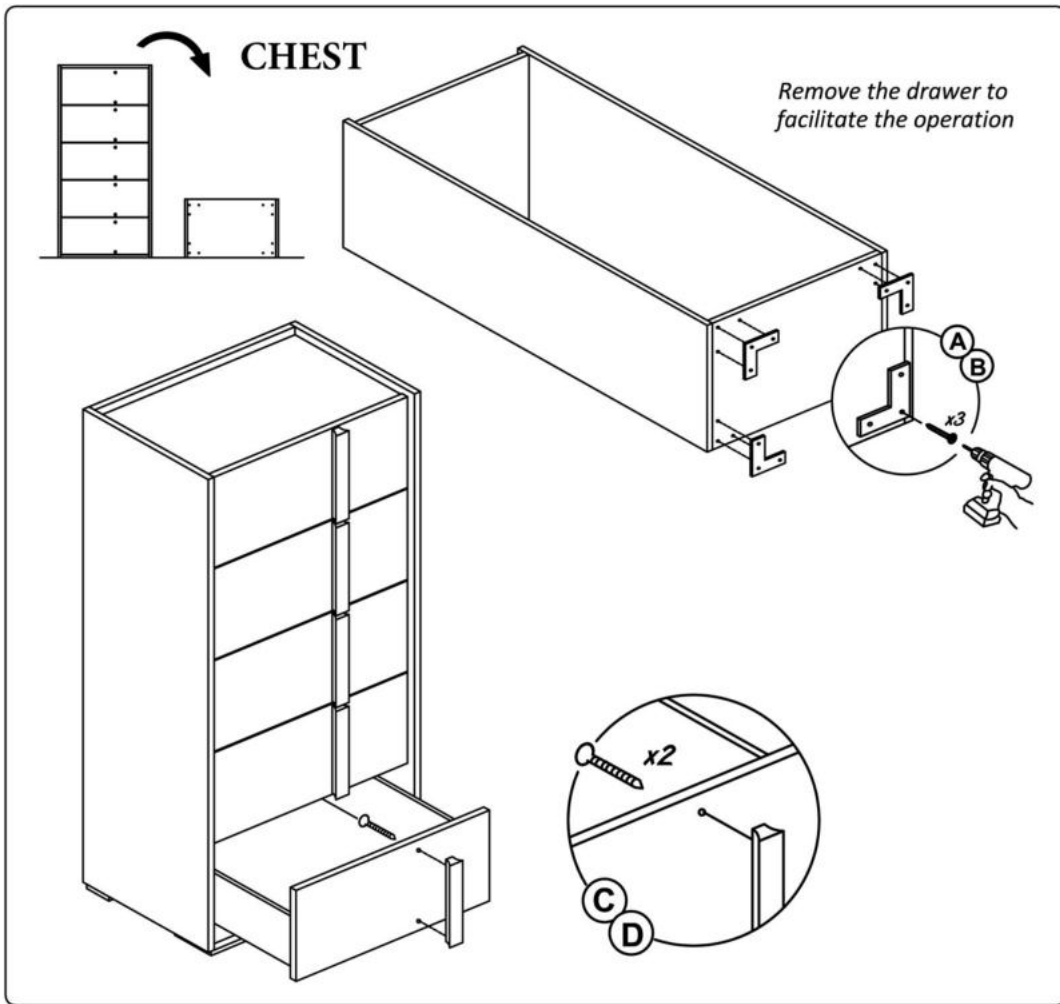
TREVISO

FITTINGS CHECK LIST

- (A)  Screws for feet $\varnothing 3,5$ L25 (18)
- (B)  Feet (6)
- (C)  Handles (6)
- (D)  Screws for handles $\varnothing 3,5$ L25 (12)







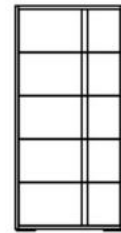
Model	TREVISO Bedroom
Code	ERTRBWHCM01
Item	Night Table



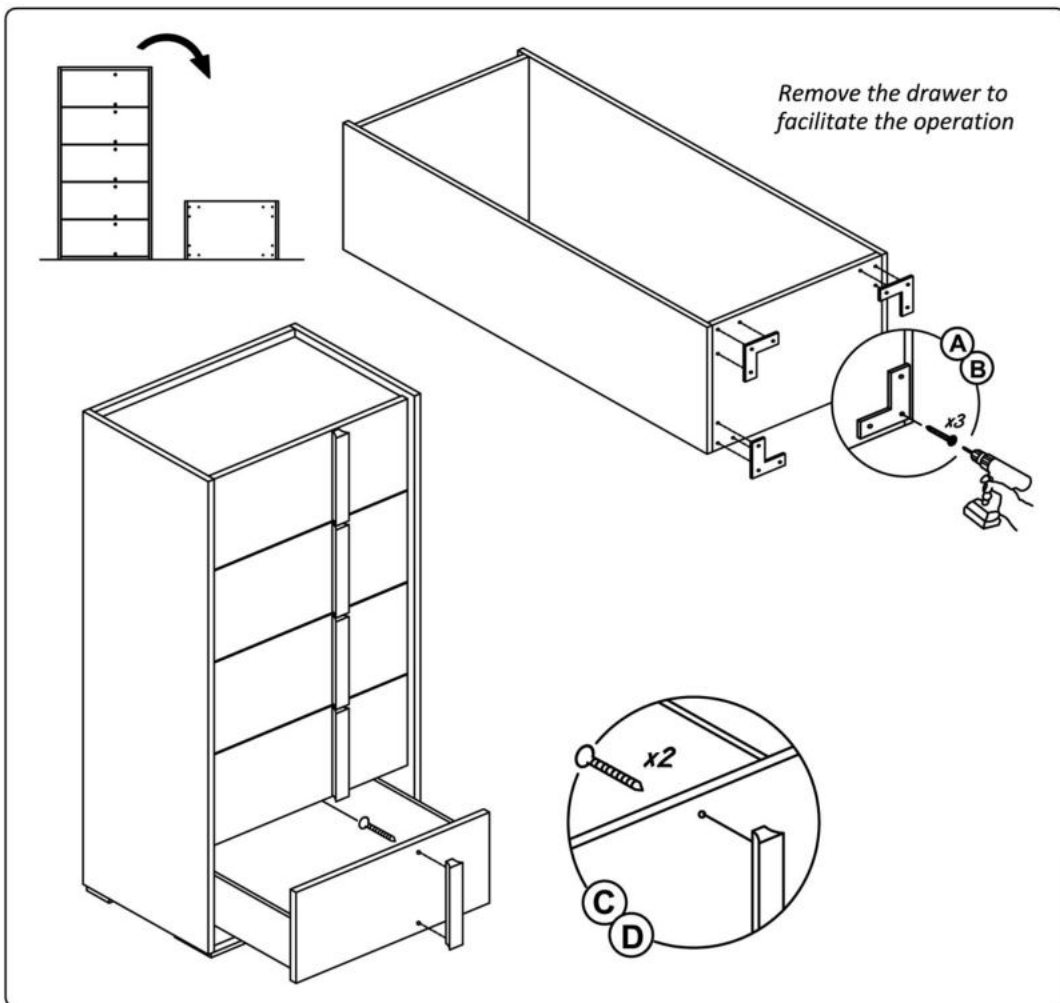
TREVISO

FITTINGS CHECK LIST

- (A)  Screws for feet
ø3,5 L25 (12)
- (B)  Feet (4)
- (C)  Handles (5)
- (D)  Screws for handles
ø3,5 L25 (10)







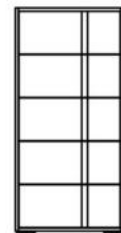
Model TREVISO Bedroom



TREVISO

FITTINGS CHECK LIST

- (A)  Screws for feet
ø3,5 L25 (12)
- (B)  Feet (4)
- (C)  Handles (5)
- (D)  Screws for handles
ø3,5 L25 (10)



Model TREVISO Bedroom