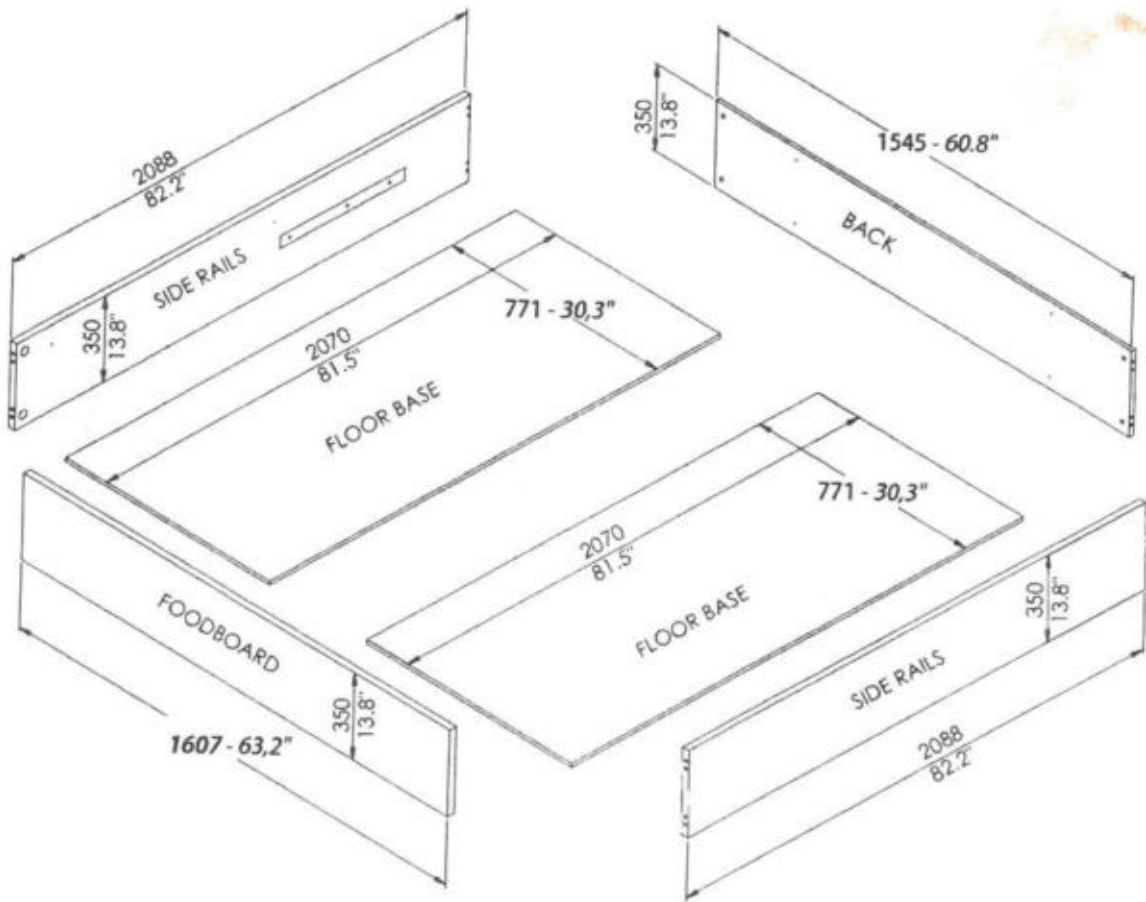
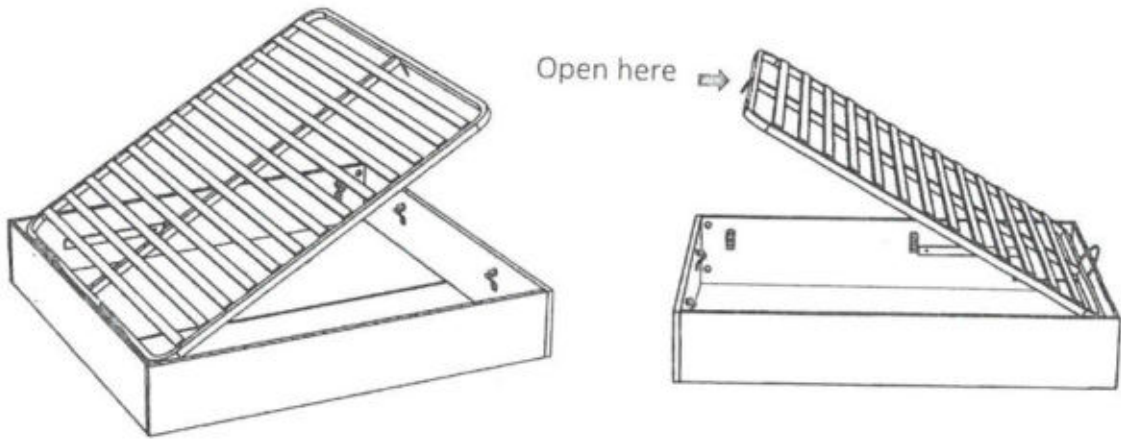


**BAÑERA RECTA ELEVABLE / BED FRAME RECTA WITH STORAGE**

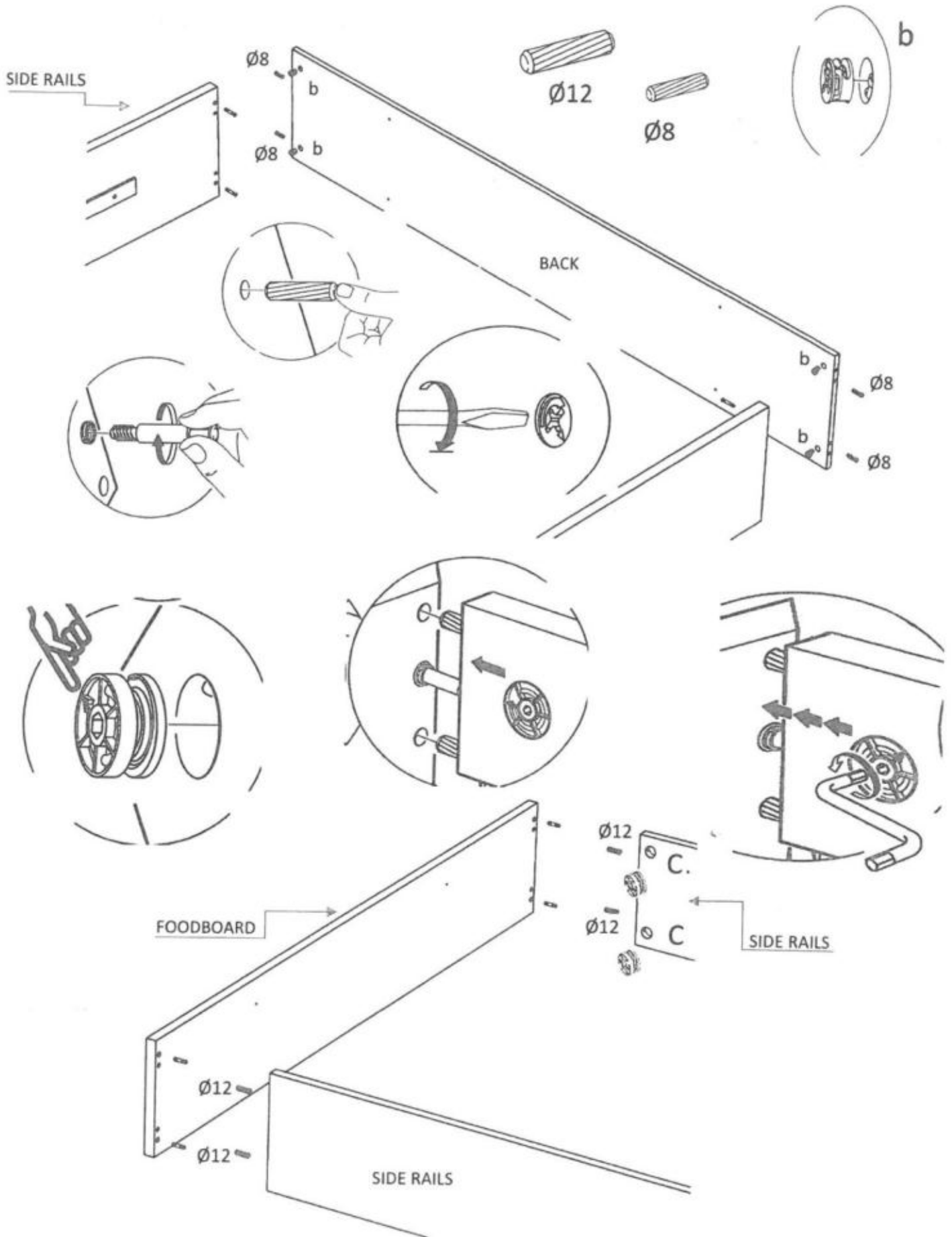
**Queen Size - QS**



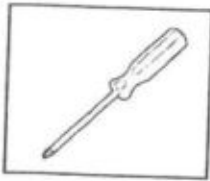
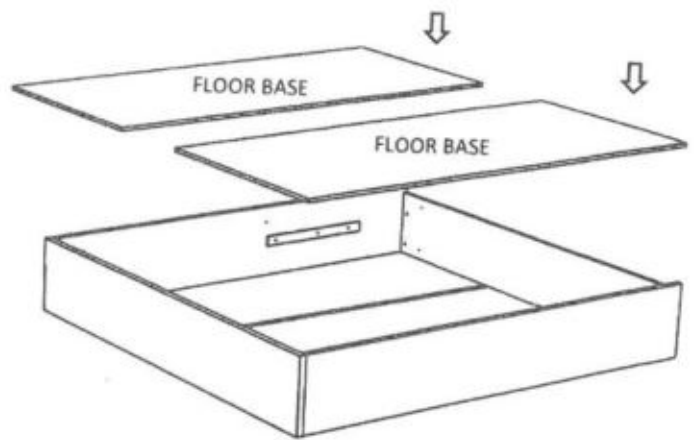
[www.esf.cc](http://www.esf.cc)



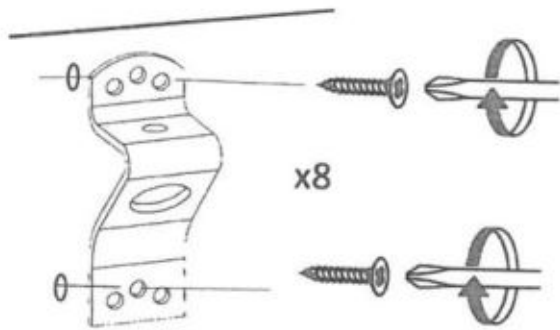
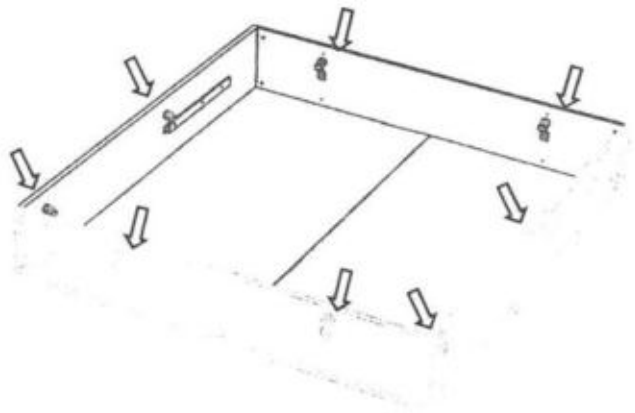
**STEP 1.- ASSEMBLE BASE CARCASS**



## STEP 2.- PLACE FLOOR BASES

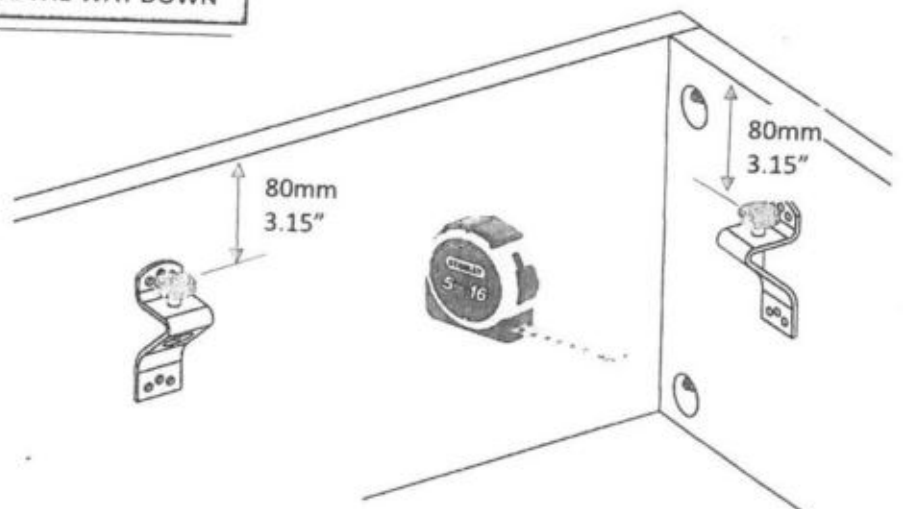


## STEP 3.- MOUNT METAL SUPPORTS

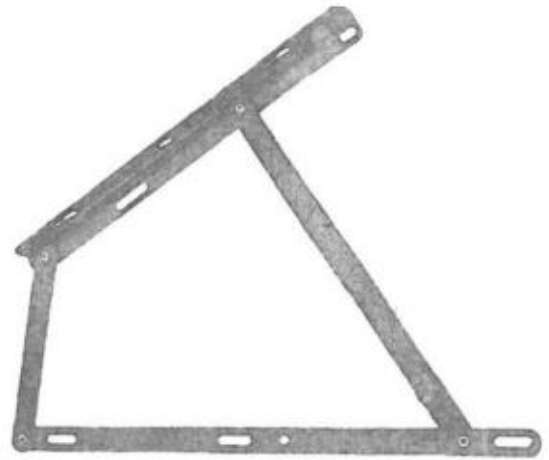


## STEP 4.- SET HEIGHT REGULATER

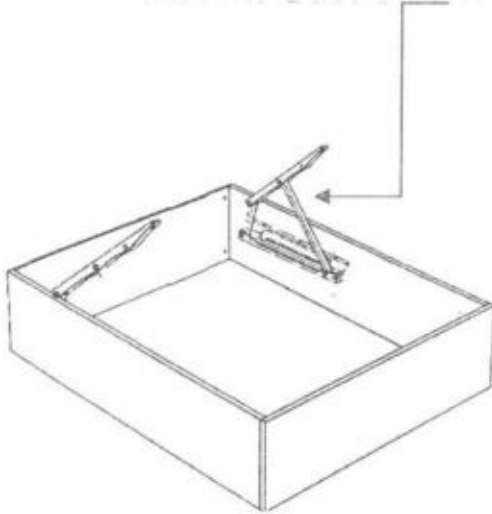
IMPORTANT: SCREW ALL THE WAY DOWN



**STEP 5 .- FIX COMPASS TWO SIDE RAILS**

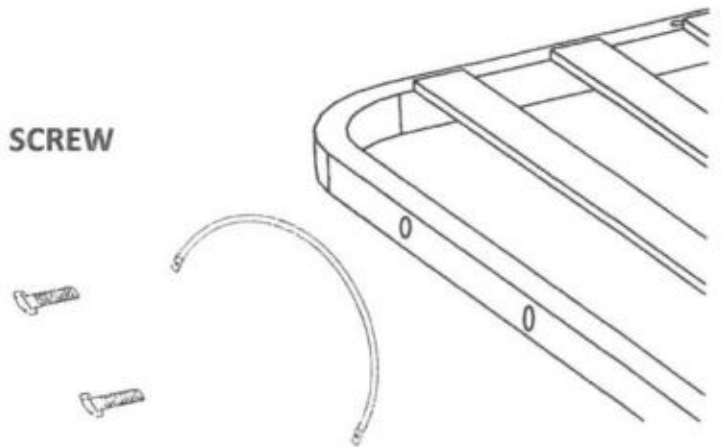


NOTE: IMPORTANT DO NOT FIX THE PUMP AT THIS STAGE



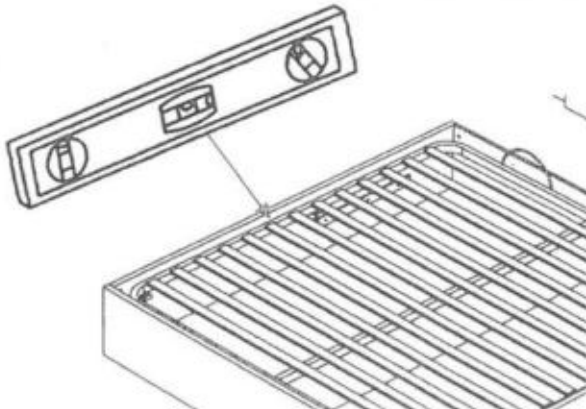
**STEP 6.- ATTACH SLAT STOP ARC**

SCREW



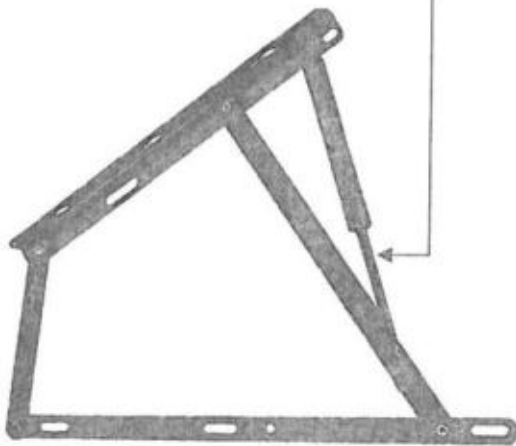
**STEP 7 .- REGULATE TO BE COMPLETELY FLAT**

CLOSE COMPASS AND PLACE FLAT SIMPLY ON TOP TO REGULATE HEIGHT



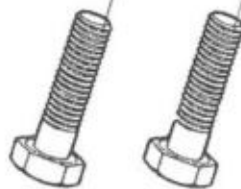
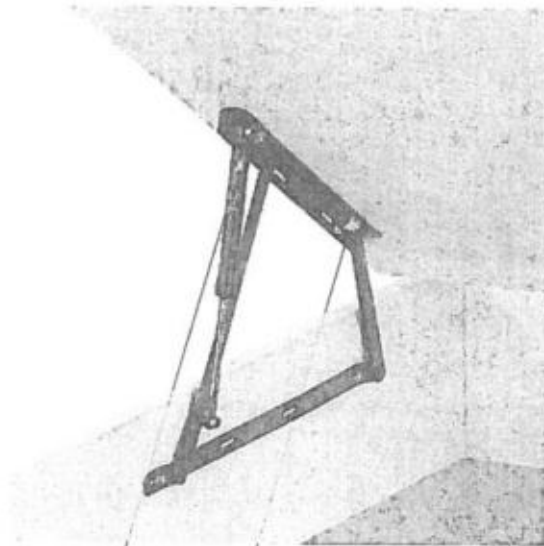
## STEP 8 .- SIX PUMP

"Thin tube of the hydraulic pump should face down"



---

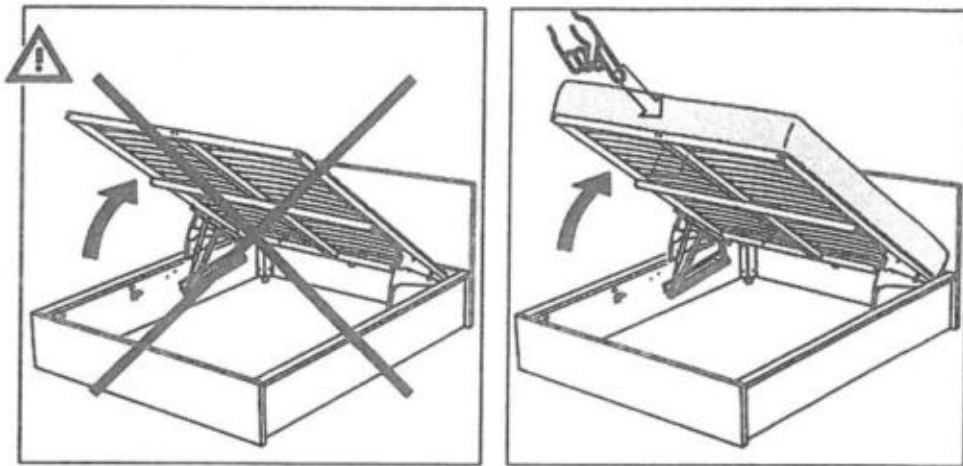
## STEP 9 .- CONNECT SLAT OR UPHOLSTERED BASE TO COMPASS



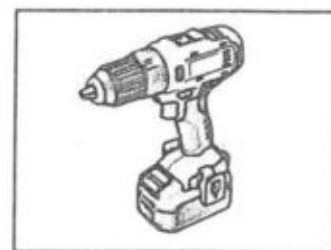
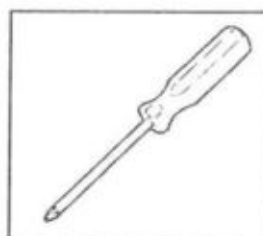
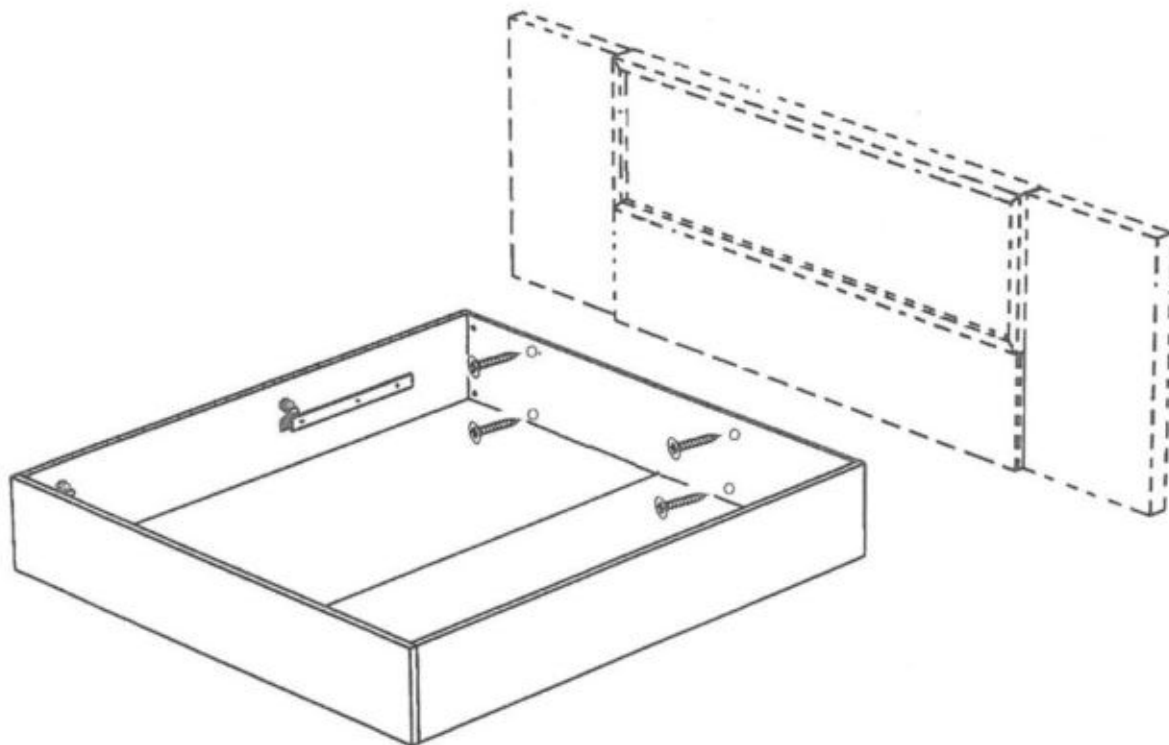
IMPORTANT: DO NOT CLOSE  
WITHOUT PLACING MATTRESS  
FIRST ON SLATE

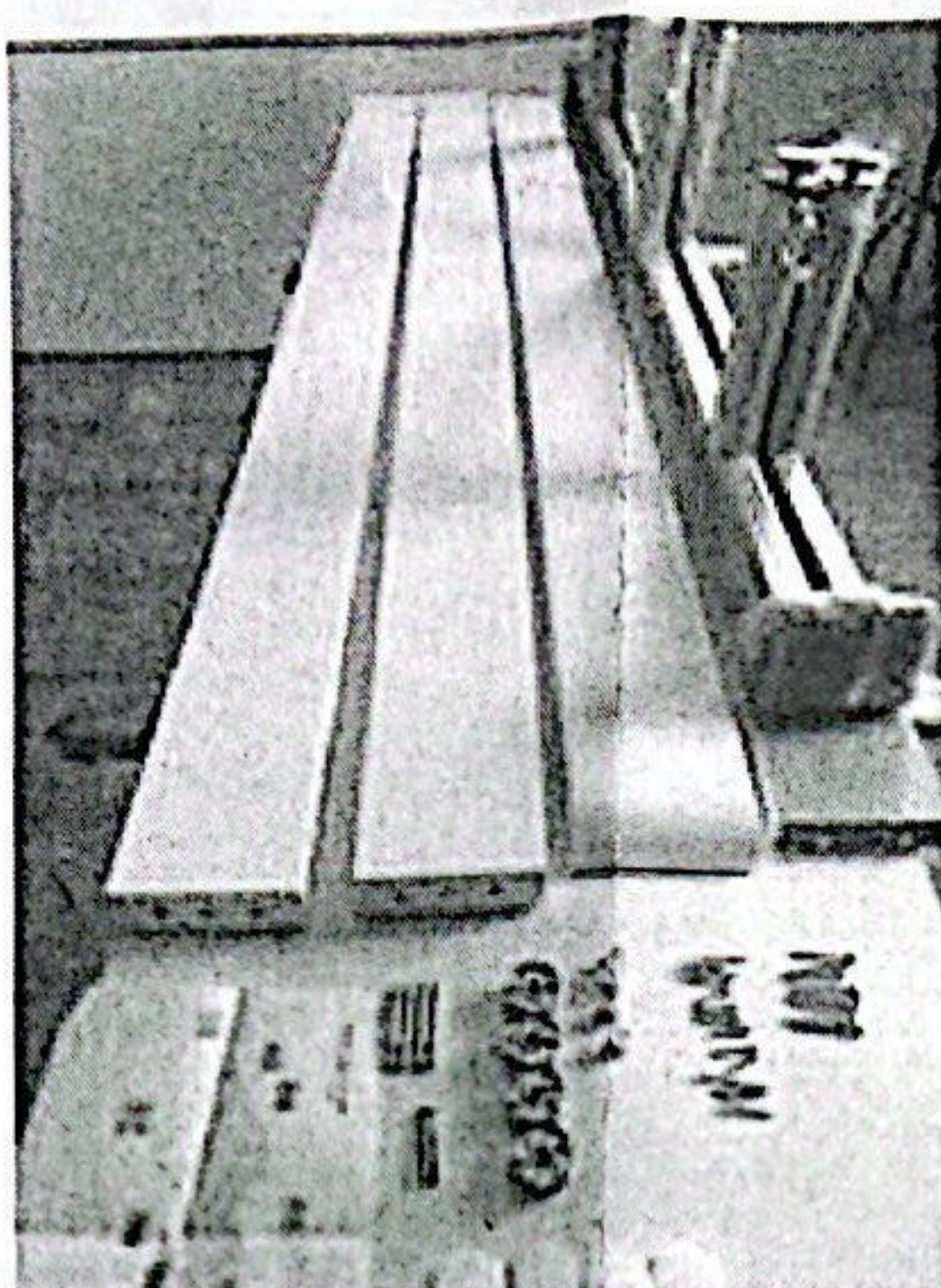
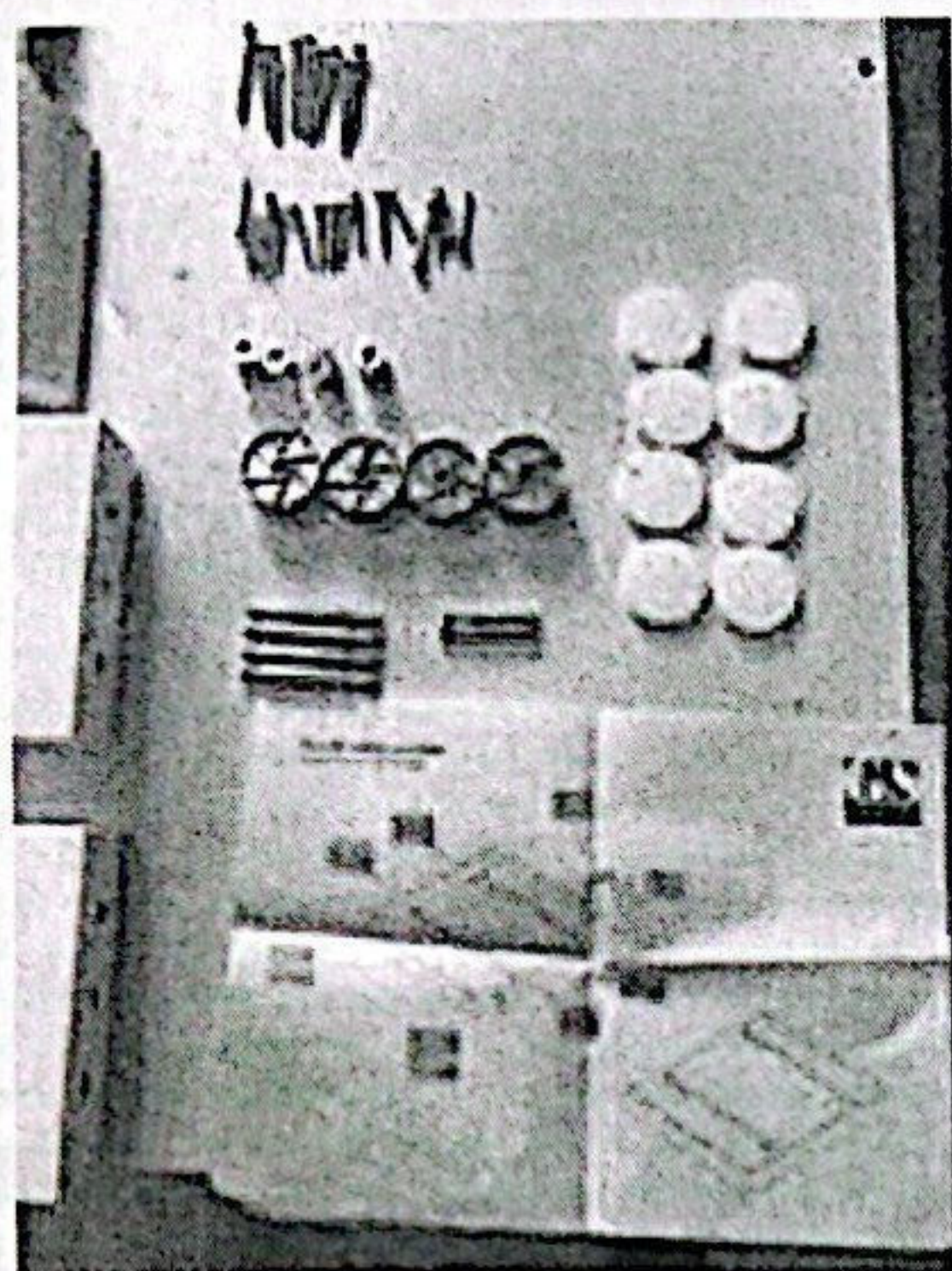
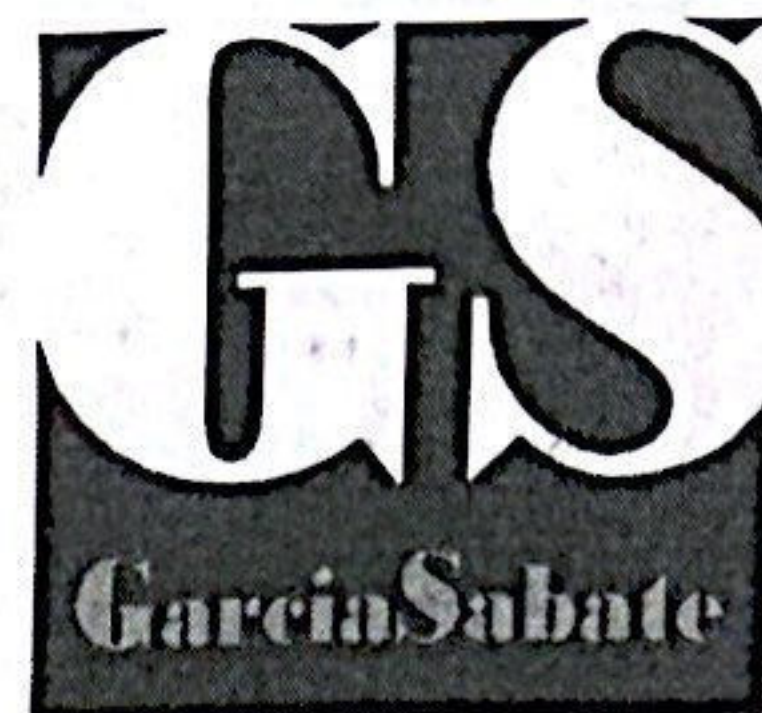
**STEP 10 .- CLOSE STORAGE BED FROM THE MIDDLE**

Do NOT close if you have not place the mattress on the slat frame **FIRST**

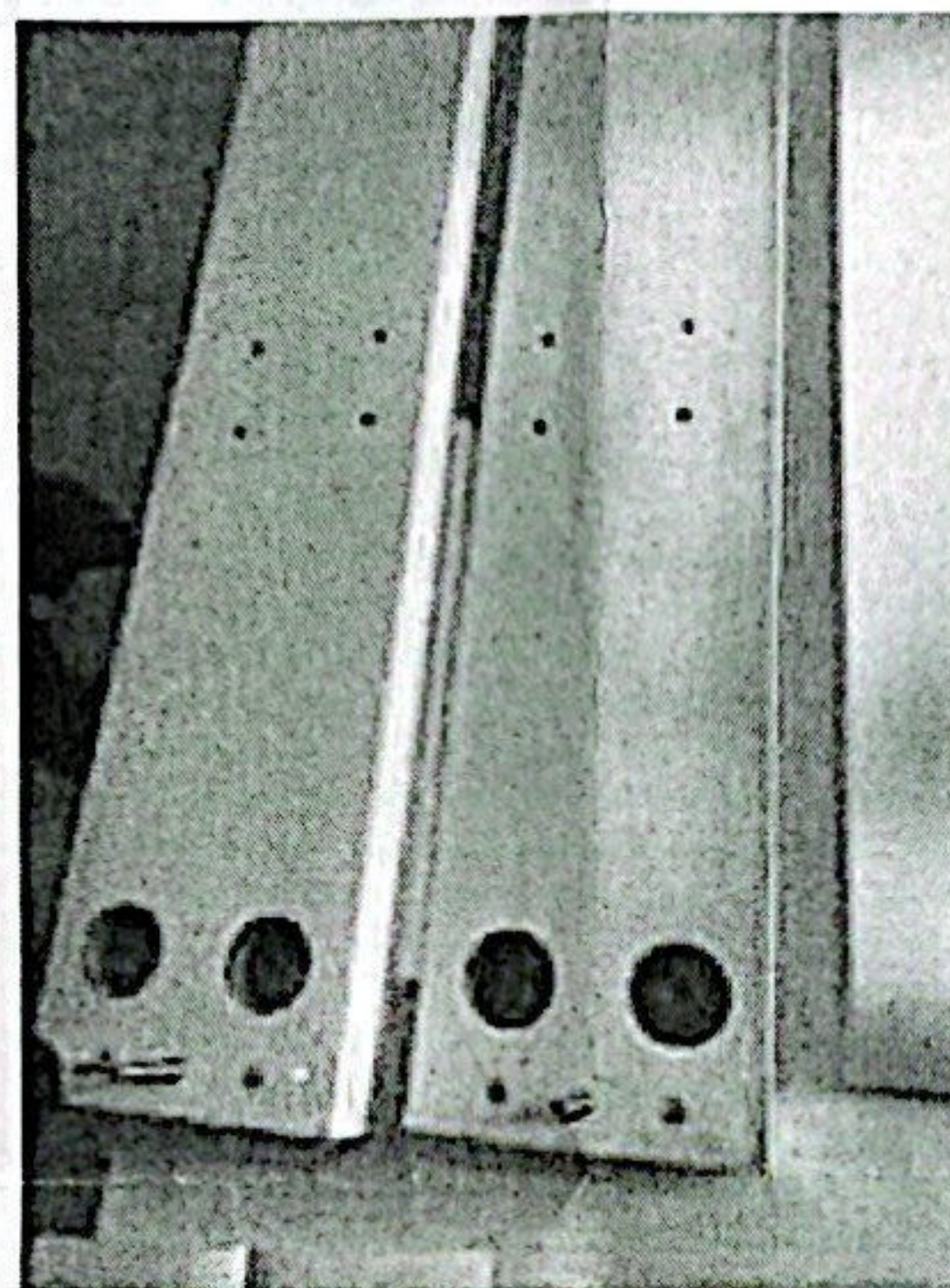
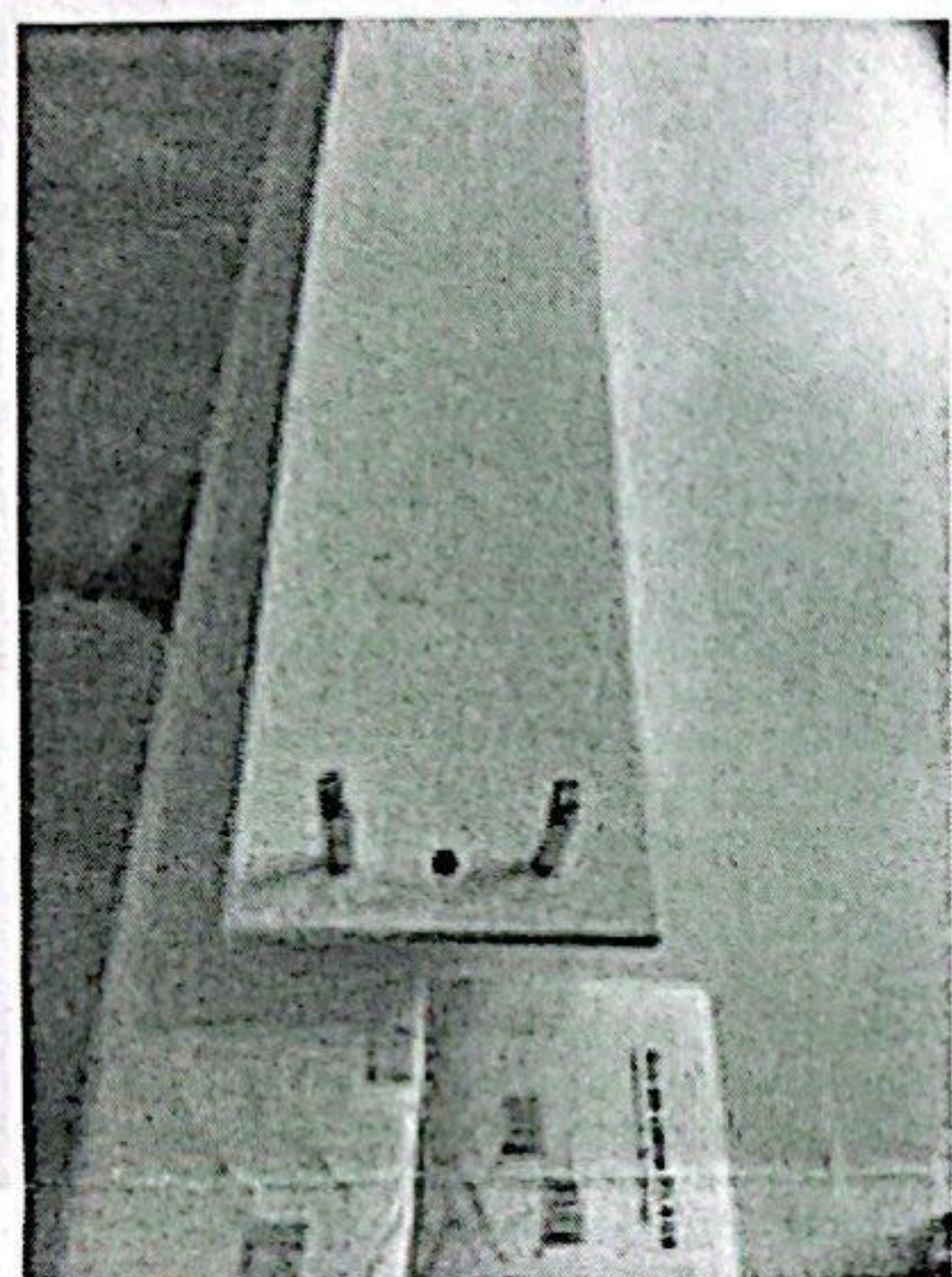


**STEP 11 .- ATTACHE BASE TO HEADBOARD**

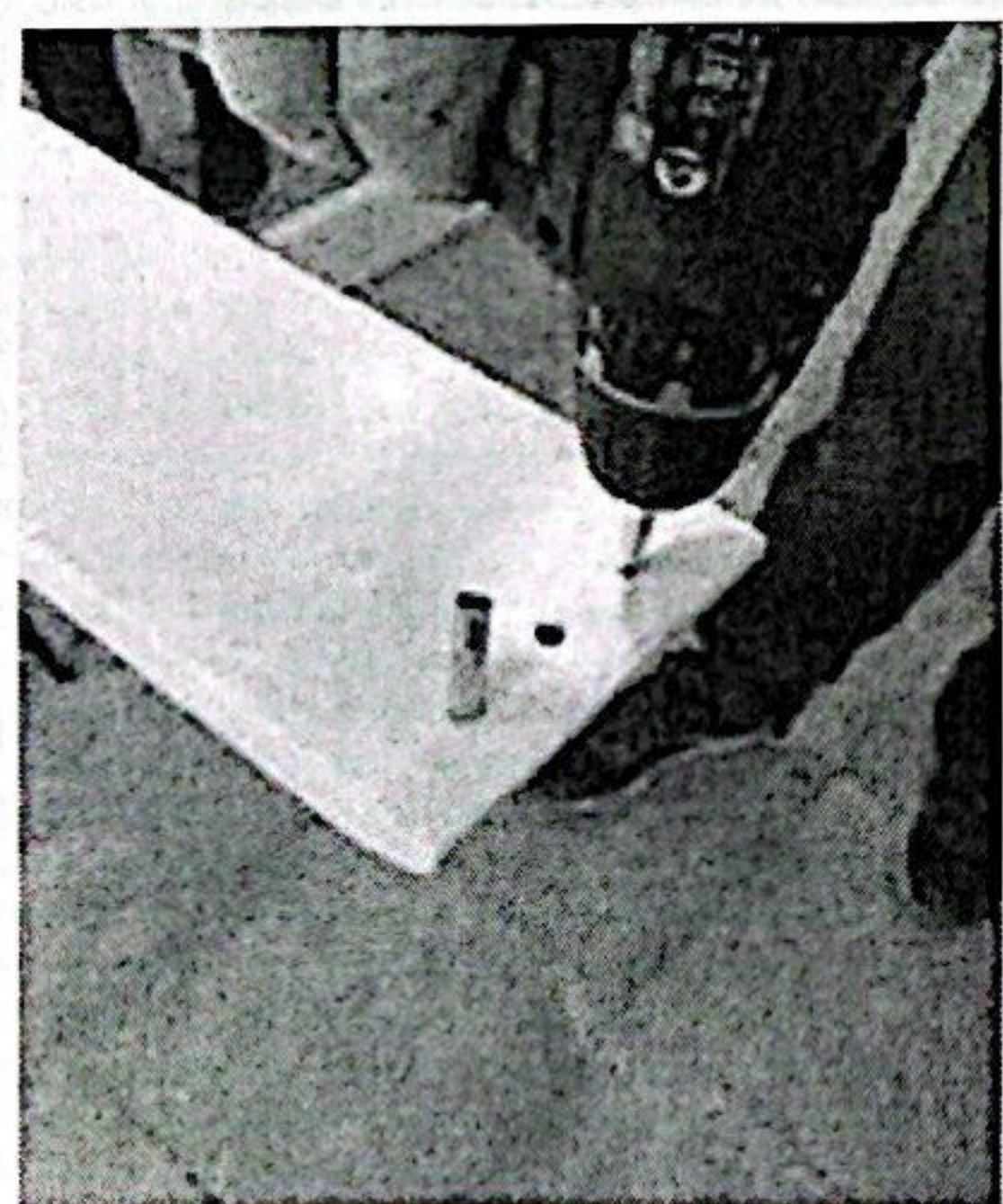




CONTENTS OF THE BEDFRAME BOX

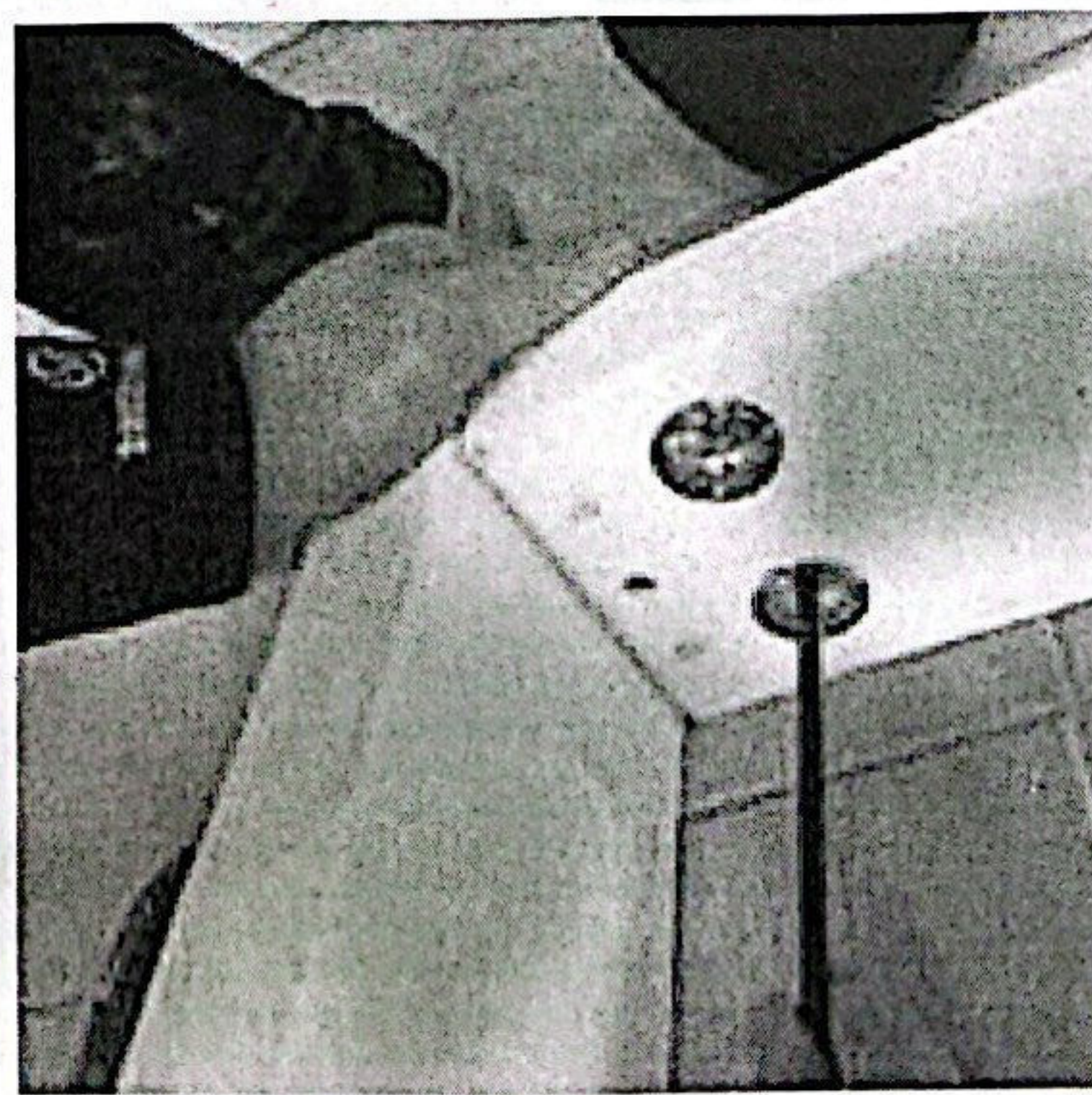
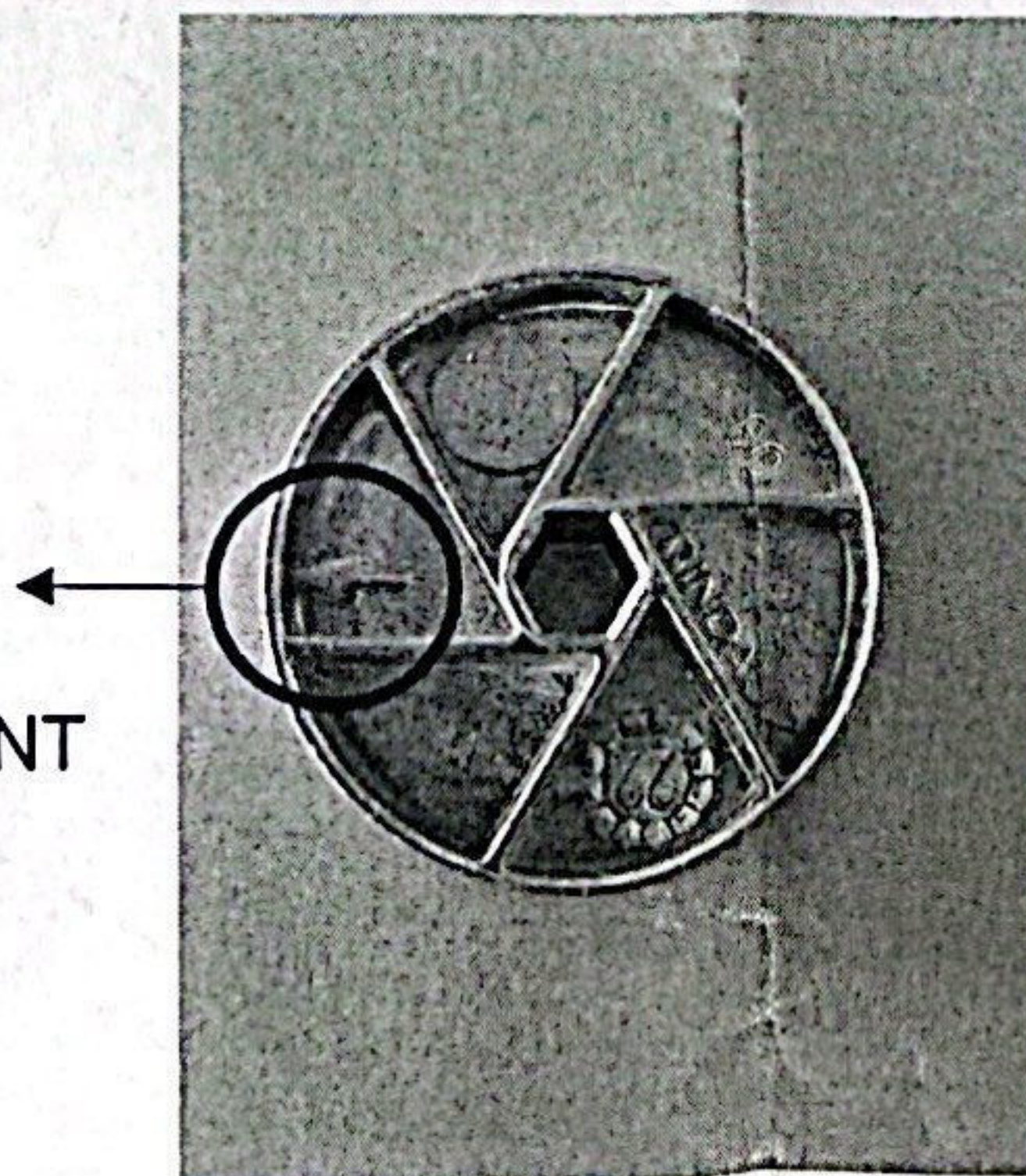


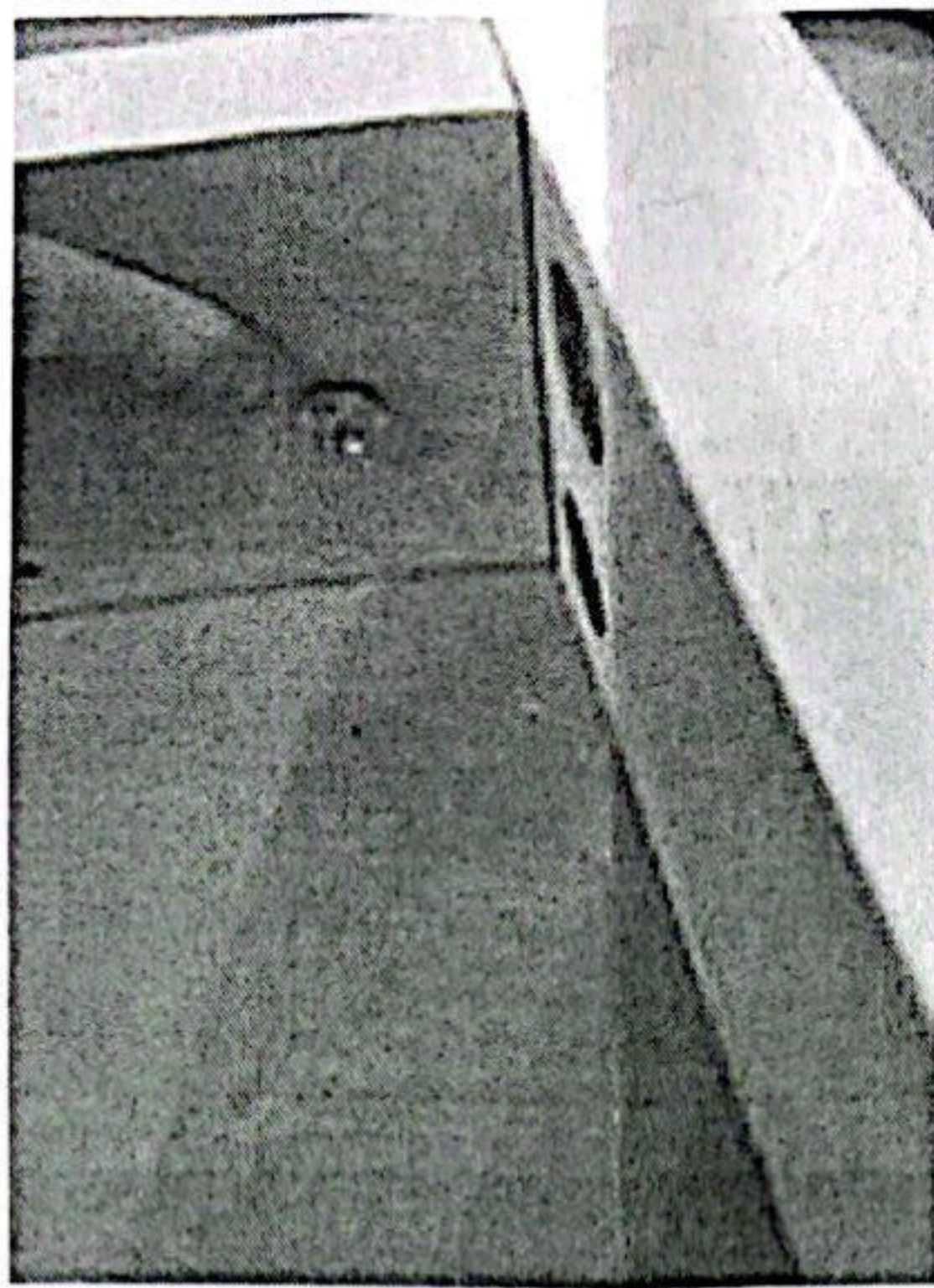
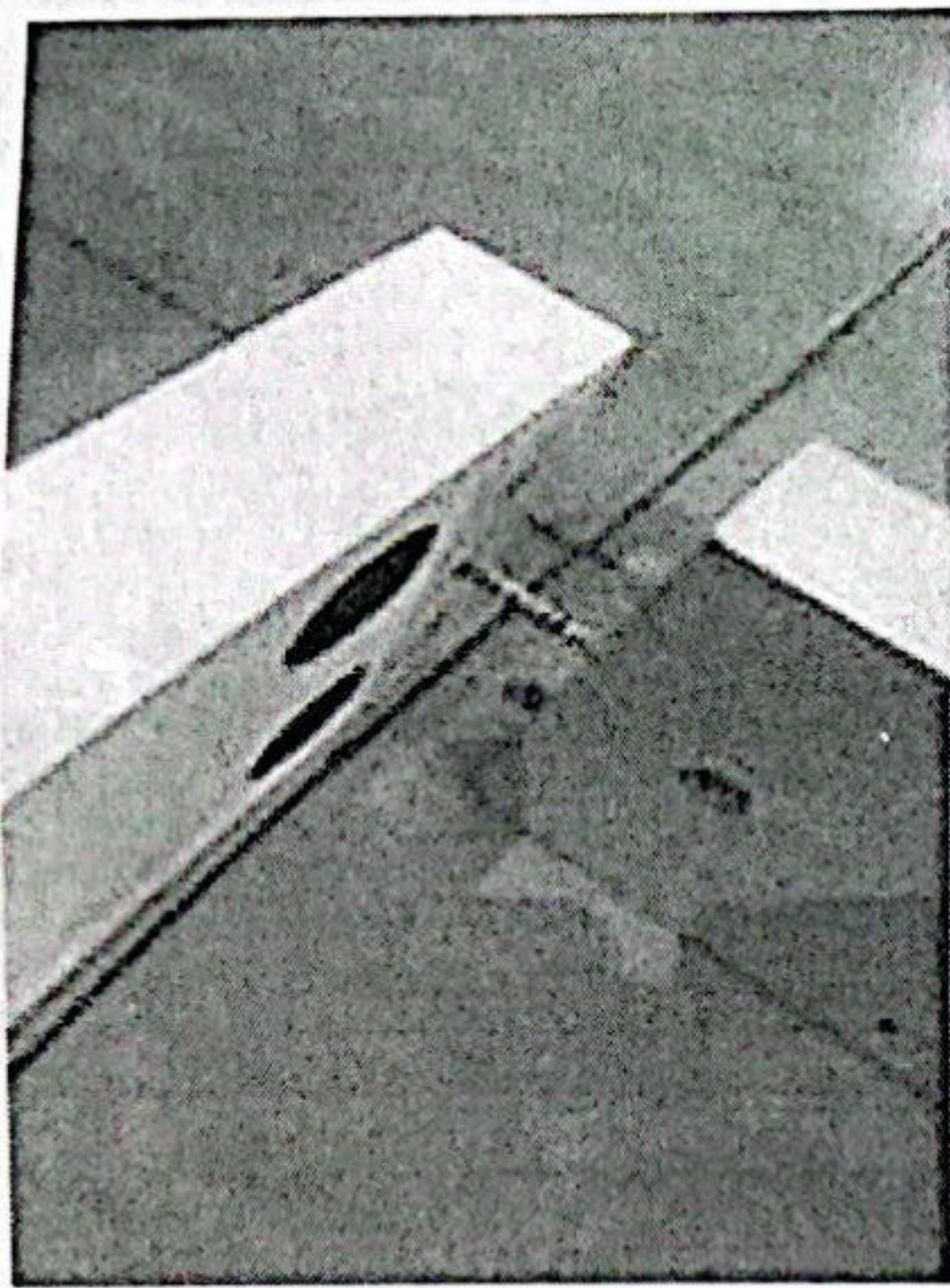
PLACE THE FITTINGS IN THE FOOT BOARD AND BOTH SIDERAILS



VERY IMPORTANT!!!!

PLACE THE FITTING WITH THE ARROW POINTING THE FOOTBOARD THAT HAS TO BE JOINT

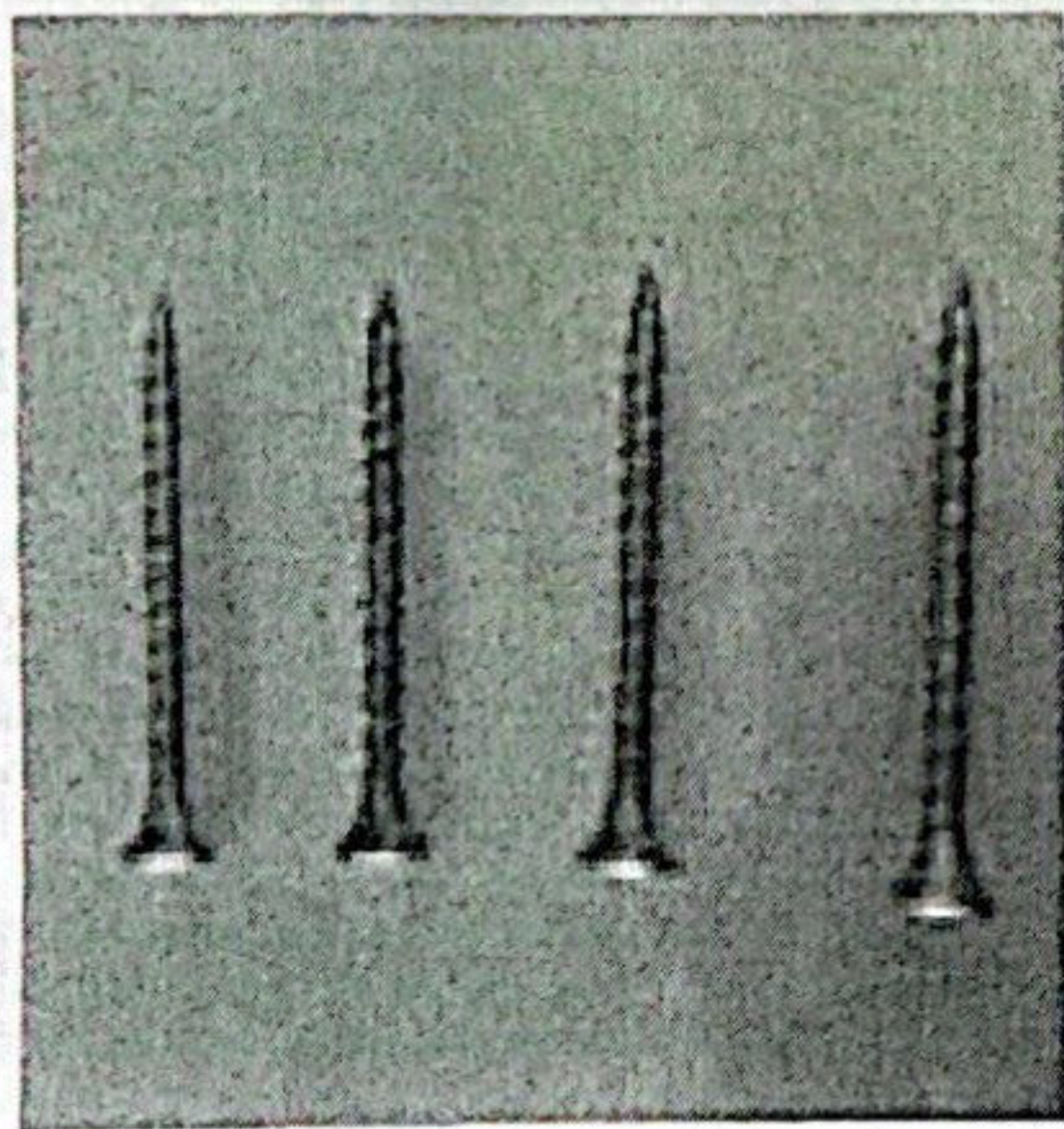




UNION BETWEEN SIDERAILS  
WITH INTERIOR FOOTBOARD



ASSEMBLY METALLIC CROSSBARS  
WITH SIDERAILS



FINALLY SCREW THROUGH  
INTERIOR FOOTBOARD THE  
BEDFRAME TO THE  
HEADBOARD

